

FEATURES

- Full 8 × 8 crossbar connectivity**
- Fully buffered signal path supports multicast and broadcast operation**
- Optimized for dc to 4.25 Gbps data**
- Programmable receive equalization**
- Compensates for up to 30 in. of FR4 @ 4.25 Gbps**
- Programmable transmit pre-emphasis/de-emphasis**
- Compensates for up to 30 in. of FR4 @ 4.25 Gbps**
- Flexible 1.8 V to 3.3 V core supply**
- Per lane positive/negative (P/N) pair inversion for routing ease**
- Low power: 125 mW/channel at 4.25 Gbps**
- DC- or ac-coupled differential CML inputs**
- Programmable CML output levels**
- 50 Ω on-chip termination**
- −40°C to +85°C temperature range operation**
- Supports 8b10b, scrambled or uncoded nonreturn-to-zero (NRZ) data**
- I²C control interface**
- Package: 64-lead LFCSP**

APPLICATIONS

- 1×, 2×, 4× FibreChannel**
- XAUI**
- Gigabit Ethernet over backplane**
- 10GBase-CX4**
- InfiniBand®**
- 50 Ω cables**

GENERAL DESCRIPTION

The ADN4600 is an asynchronous, nonblocking crosspoint switch with eight differential PECL-/CML-compatible inputs with programmable equalization and eight differential CML outputs with programmable output levels and pre-emphasis or de-emphasis. The operation of this device is optimized for NRZ data at rates up to 4.25 Gbps.

The receive inputs provide programmable equalization with nine settings to compensate for up to 30 in. of FR4 and programmable pre-emphasis with seven settings to compensate for up to 30 in. of FR4 at 4.25 Gbps.

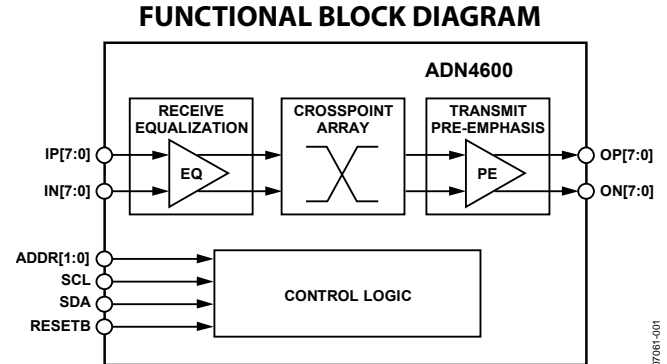


Figure 1.

The ADN4600 nonblocking switch core implements an 8 × 8 crossbar and supports independent channel switching through the I²C control interface. Every channel implements an asynchronous path supporting NRZ data rates from dc to 4.25 Gbps. Each channel is fully independent of other channels. The ADN4600 has low latency and very low channel-to-channel skew.

The main application for the ADN4600 is to support switching on the backplane, line card, or cable interface sides of serial links.

The ADN4600 is packaged in a 9 mm × 9 mm, 64-lead LFCSP package and operates from −40°C to +85°C.

Rev. 0

Information furnished by Analog Devices is believed to be accurate and reliable. However, no responsibility is assumed by Analog Devices for its use, nor for any infringements of patents or other rights of third parties that may result from its use. Specifications subject to change without notice. No license is granted by implication or otherwise under any patent or patent rights of Analog Devices. Trademarks and registered trademarks are the property of their respective owners.

TABLE OF CONTENTS

| | | | |
|--|---|---|----|
| Features | 1 | Typical Performance Characteristics | 8 |
| Applications..... | 1 | Theory of Operation | 13 |
| Functional Block Diagram | 1 | Introduction..... | 13 |
| General Description | 1 | Receivers..... | 13 |
| Revision History | 2 | Switch Core | 15 |
| Specifications..... | 3 | Transmitters | 16 |
| Electrical Specifications..... | 3 | I ² C Control Interface..... | 22 |
| Timing Specifications | 5 | PCB Design Guidelines | 24 |
| Absolute Maximum Ratings..... | 6 | Control Register Map..... | 25 |
| ESD Caution..... | 6 | Package Outline Dimensions..... | 28 |
| Pin Configuration and Function Descriptions..... | 7 | Ordering Guide | 28 |

REVISION HISTORY

6/08—Revision 0: Initial Version

SPECIFICATIONS

ELECTRICAL SPECIFICATIONS

$V_{CC} = 1.8\text{ V}$, $V_{EE} = 0\text{ V}$, $V_{TTI} = V_{TTO} = V_{CC}$, $R_L = 50\ \Omega$, differential output swing = 800 mV p-p differential, 4.25 Gbps, PRBS $2^7 - 1$, $T_A = 25^\circ\text{C}$, unless otherwise noted.

Table 1.

| Parameter | Conditions | Min | Typ | Max | Unit |
|--|---|------|----------------|------|----------|
| DYNAMIC PERFORMANCE | | | | | |
| Maximum Data Rate per Channel | In NRZ format | 4.25 | | | Gbps |
| Deterministic Jitter | Data rate < 4.25 Gbps; BER = $1e - 12$ | | 30 | | ps p-p |
| Random Jitter | $V_{CC} = 1.8\text{ V}$ | | 1.5 | | ps rms |
| Residual Deterministic Jitter with Receive Equalization | Data rate < 3.25 Gbps; 0 in. to 30 in. FR4 | | 0.16 | | UI |
| | Data rate < 4.25 Gbps; 0 in. to 30 in. FR4 | | 0.20 | | UI |
| Residual Deterministic Jitter with Transmit Pre-Emphasis | Data rate < 3.25 Gbps; 0 in. to 30 in. FR4 | | 0.13 | | UI |
| | Data rate < 4.25 Gbps; 0 in. to 30 in. FR4 | | 0.18 | | UI |
| Output Rise/Fall Time | 20% to 80% | | 75 | | ps |
| Channel-to-Channel Skew | | | 50 | | ps |
| Propagation Delay | | | 1 | | ns |
| OUTPUT PRE-EMPHASIS | | | | | |
| Equalization Method | One-tap programmable pre-emphasis | | | | |
| Maximum Boost | 800 mV p-p output swing | | 6 | | dB |
| | 200 mV p-p output swing | | 12 | | dB |
| Pre-Emphasis Tap Range | Minimum | | 2 | | mA |
| | Maximum | | 12 | | mA |
| INPUT EQUALIZATION | | | | | |
| Minimum Boost | EQBY = 1 | | 1.5 | | dB |
| Maximum Boost | Maximum boost occurs @ 2.125 GHz | | 22 | | dB |
| Number of Equalization Steps | | | 8 | | Steps |
| Gain Step Size | | | 2.5 | | dB |
| INPUT CHARACTERISTICS | | | | | |
| Input Voltage Swing | Differential, $V_{ICM}^1 = V_{CC} - 0.6\text{ V}$; $V_{CC} = 3.3\text{ V}$ | 300 | | 2000 | mV p-p |
| Input Voltage Range | Single-ended absolute voltage level, V_L minimum | | $V_{EE} + 0.4$ | | V p-p |
| | Single-ended absolute voltage level, V_H maximum | | $V_{CC} + 0.5$ | | V p-p |
| Input Resistance | Single-ended | 45 | 50 | 55 | Ω |
| Input Return Loss | Measured at 2.5 GHz | | 5 | | dB |
| OUTPUT CHARACTERISTICS | | | | | |
| Output Voltage Swing | @ dc, differential, PE = 0, default, $V_{CC} = 1.8\text{ V}$ | 635 | 740 | 870 | mV p-p |
| | @ dc, differential, PE = 0, default, $V_{CC} = 3.3\text{ V}$ | | 800 | | mV p-p |
| | @ dc, differential, PE = 0, min output level ² , $V_{CC} = 1.8\text{ V}$ | | 100 | | mV p-p |
| | @ dc, differential, PE = 0, min output level ² , $V_{CC} = 3.3\text{ V}$ | | 100 | | mV p-p |
| | @ dc, differential, PE = 0, max output level ² , $V_{CC} = 1.8\text{ V}$ | | 1300 | | mV p-p |
| | @ dc, differential, PE = 0, max output level ² , $V_{CC} = 3.3\text{ V}$ | | 1800 | | mV p-p |
| Output Voltage Range | Single-ended absolute voltage level, TxHeadroom = 0; V_L min | | $V_{CC} - 1.1$ | | V |
| | Single-ended absolute voltage level, TxHeadroom = 0; V_H max | | $V_{CC} + 0.6$ | | V |
| | Single-ended absolute voltage level, TxHeadroom = 1; V_L min | | $V_{CC} - 1.2$ | | V |
| | Single-ended absolute voltage level, TxHeadroom = 1; V_H max | | $V_{CC} + 0.6$ | | V |
| Output Current | Minimum output current per channel | | 2 | | mA |
| | Maximum output current per channel, $V_{CC} = 1.8\text{ V}$ | | 21 | | |
| Output Resistance | Single ended | 45 | 50 | 55 | Ω |
| Output Return Loss | Measured at 2.5 GHz | | 5 | | dB |

ADN4600

| Parameter | Conditions | Min | Typ | Max | Unit |
|--------------------------------|---|----------------|-----|-----|------|
| POWER SUPPLY | | | | | |
| Operating Range | | | | | |
| V_{CC} | $V_{EE} = 0\text{ V}$ | 1.7 | 1.8 | 3.6 | V |
| DV_{CC} | $V_{EE} = 0\text{ V}, DV_{CC} \leq (V_{CC} + 1.3\text{ V})$ | 3.0 | 3.3 | 3.6 | V |
| V_{TTI} | $(V_{EE} + 0.4\text{ V} + 0.5 \times V_{ID}) < V_{TTI} < (V_{CC} + 0.5\text{ V})$ | $V_{EE} + 0.4$ | 1.8 | 3.6 | V |
| V_{TTO} | $(V_{CC} - 1.1\text{ V} + 0.5 \times V_{OD}) < V_{TTO} < (V_{CC} + 0.5\text{ V})$ | $V_{CC} - 1.1$ | 1.8 | 3.6 | V |
| Supply Current ³ | | | | | |
| I_{TTO} | All outputs enabled | | 63 | 69 | mA |
| I_{CC} | All outputs enabled | | 460 | 565 | mA |
| I_{EE} | All outputs enabled | | 586 | | mA |
| I_{TTO} | Single channel enabled | | 16 | 18 | mA |
| I_{CC} | Single channel enabled | | 173 | 214 | mA |
| I_{EE} | Single channel enabled | | 205 | | mA |
| LOGIC CHARACTERISTICS | | | | | |
| Input High (V_{IH}) | $DV_{CC} = 3.3\text{ V}$ | 2.5 | | | V |
| Input Low (V_{IL}) | | | | 1.0 | V |
| Output High (V_{OH}) | | 2.5 | | | V |
| Output Low (V_{OL}) | | | | 1.0 | V |
| THERMAL CHARACTERISTICS | | | | | |
| Operating Temperature Range | | -40 | | +85 | °C |
| θ_{JA} | | | 22 | | °C/W |

¹ V_{ICM} is the input common-mode voltage.

² Programmable via I²C.

³ Assumes dc-coupled outputs. For ac-coupled outputs, I_{TTO} currents will double.

TIMING SPECIFICATIONS

Table 2. I²C Timing Parameters

| Parameter | Min | Max | Unit | Description |
|---------------------|-----|-----|------|--|
| f _{SCL} | 0 | 400 | kHz | SCL clock frequency |
| t _{HD:STA} | 0.6 | N/A | μs | Hold time for a start condition |
| t _{SU:STA} | 0.6 | N/A | μs | Setup time for a repeated start condition |
| t _{LOW} | 1.3 | N/A | μs | Low period of the SCL clock |
| t _{HIGH} | 0.6 | N/A | μs | High period of the SCL clock |
| t _{HD:DAT} | 0 | N/A | μs | Data hold time |
| t _{SU:DAT} | 10 | N/A | ns | Data setup time |
| t _r | 1 | 300 | ns | Rise time for both SDA and SCL |
| t _f | 1 | 300 | ns | Fall time for both SDA and SCL |
| t _{SU:STO} | 0.6 | N/A | μs | Setup time for a stop condition |
| t _{BUF} | 1 | N/A | ns | Bus-free time between a stop and a start condition |
| C _{IO} | 5 | 7 | Pf | Capacitance for each I/O pin |

I²C Timing Specifications

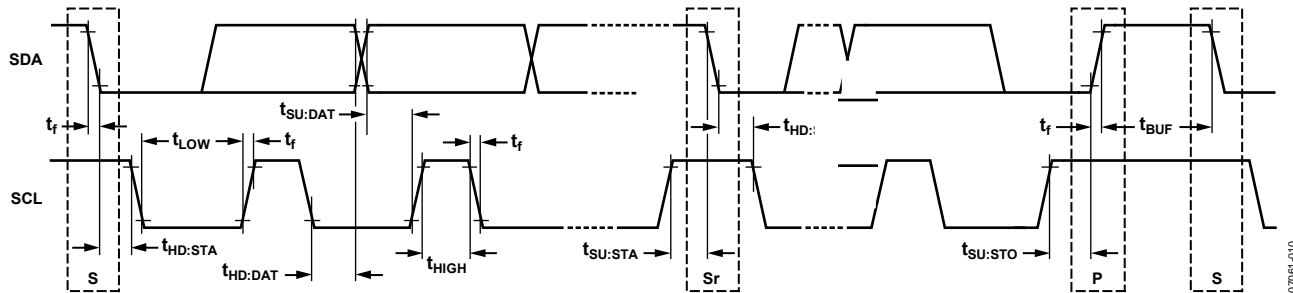


Figure 2. I²C Timing Diagram

ABSOLUTE MAXIMUM RATINGS

Table 3.

| Parameter | Rating |
|----------------------------|--|
| V_{CC} to V_{EE} | 3.7 V |
| V_{TI} | $V_{CC} + 0.6$ V |
| V_{TO} | $V_{CC} + 0.6$ V |
| Internal Power Dissipation | 4.26 W |
| Differential Input Voltage | 2.0 V |
| Logic Input Voltage | $V_{EE} - 0.3$ V < V_{IN} < $V_{CC} + 0.6$ V |
| Storage Temperature Range | -65°C to +125°C |
| Lead Temperature | 300°C |

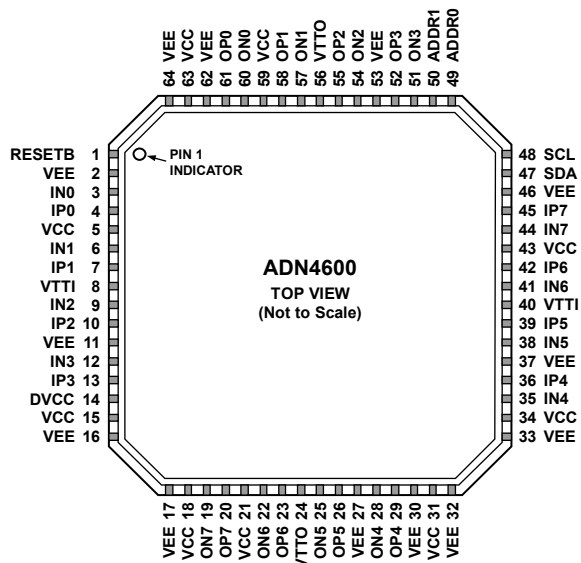
Stresses above those listed under Absolute Maximum Ratings may cause permanent damage to the device. This is a stress rating only; functional operation of the device at these or any other conditions above those indicated in the operational section of this specification is not implied. Exposure to absolute maximum rating conditions for extended periods may affect device reliability.

ESD CAUTION



ESD (electrostatic discharge) sensitive device. Charged devices and circuit boards can discharge without detection. Although this product features patented or proprietary protection circuitry, damage may occur on devices subjected to high energy ESD. Therefore, proper ESD precautions should be taken to avoid performance degradation or loss of functionality.

PIN CONFIGURATION AND FUNCTION DESCRIPTIONS



NOTES
 1. PAD ON BOTTOM OF PACKAGE MUST BE CONNECTED TO VEE.

Figure 3. Pin Configuration

Table 4. Pin Function Descriptions

| Pin No. | Mnemonic | Type | Description |
|---|------------|---------|--|
| 1 | RESETB | Control | Reset Input (Active Low) |
| 2, 11, 16, 17, 27, 30, 32, 33, 37, 46, 53, 62, 64 | VEE | Power | Negative Supply |
| 3, 6, 9, 12, 35, 38, 41, 44 | IN0 to IN7 | I/O | High Speed Inputs |
| 4, 7, 10, 13, 36, 39, 42, 45 | IP0 to IP7 | I/O | High Speed Input Complements |
| 5, 15, 18, 21, 31, 34, 43, 59, 63 | VCC | Power | Positive Supply |
| 8, 40 | VTTI | Power | Input Termination Supply |
| 14 | DVCC | Power | Digital Positive Supply (3.3 V) |
| 19, 22, 25, 28, 51, 54, 57, 60 | ON7 to ON0 | I/O | High Speed Outputs |
| 20, 23, 26, 29, 52, 55, 58, 61 | OP7 to ON0 | I/O | High Speed Output Complements |
| 24, 56 | VTTO | Power | Output Termination Supply |
| 47 | SDA | Control | I ² C Control Interface Data Input/Output |
| 48 | SCL | Control | I ² C Control Interface Clock Input |
| 49 | ADDR0 | Control | I ² C Control Interface Address LSB |
| 50 | ADDR1 | Control | I ² C Control Interface Address MSB |
| | EPAD | Power | Connect to VEE |

TYPICAL PERFORMANCE CHARACTERISTICS

Figure 5 to Figure 8 were obtained using the standard test circuit shown in Figure 4.

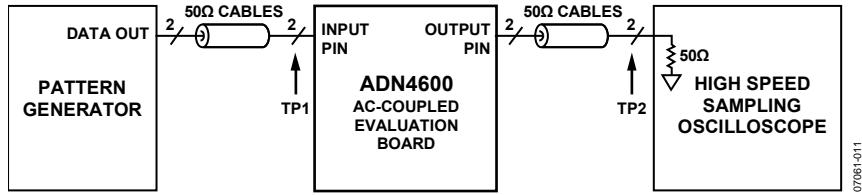


Figure 4. Standard Test Circuit (No Channel)

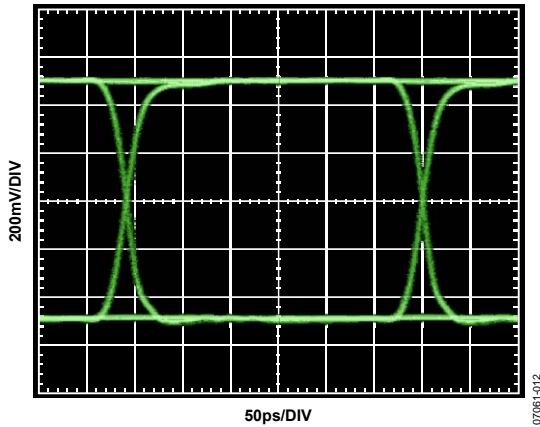


Figure 5. 3.25 Gbps Input Eye (TP1 from Figure 4)

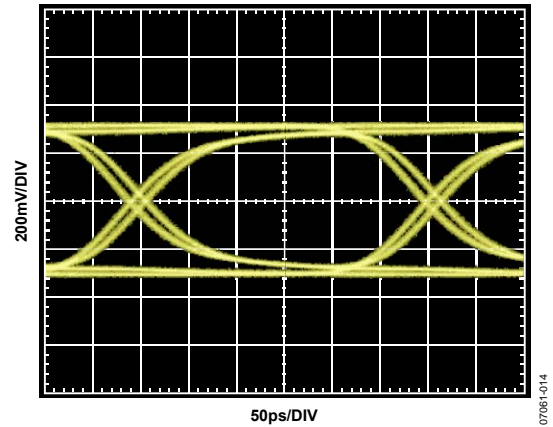


Figure 7. 3.25 Gbps Output Eye, No Channel (TP2 from Figure 4)

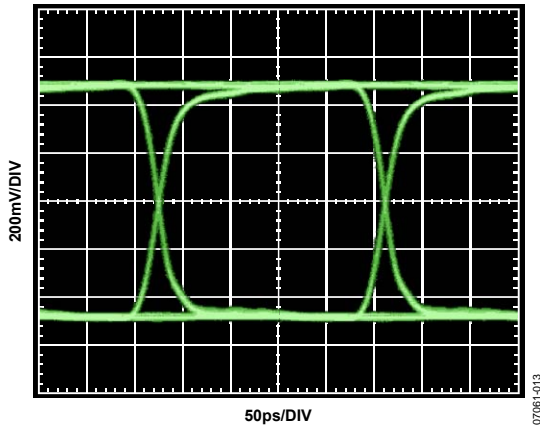


Figure 6. 4.25 Gbps Input Eye (TP1 from Figure 4)

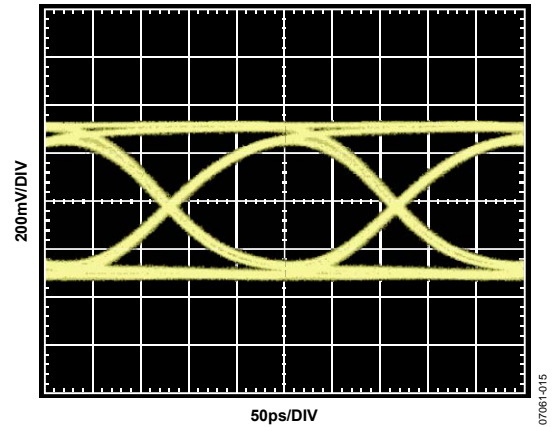


Figure 8. 4.25 Gbps Output Eye, No Channel (TP2 from Figure 4)

Figure 10 to Figure 13 were obtained using the standard test circuit shown in Figure 9.

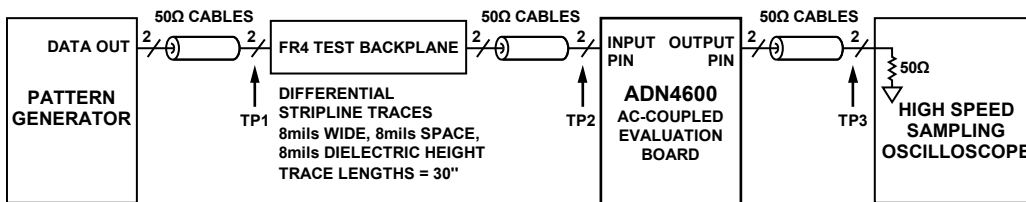


Figure 9. Input Equalization Test Circuit, FR4 (See Figure 5 and Figure 6 for the Reference Eye Diagrams at TP1)

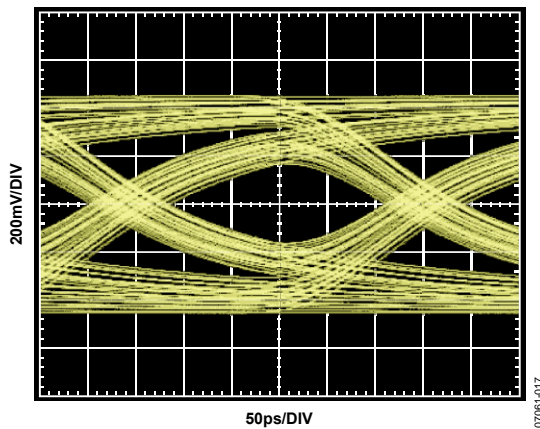


Figure 10. 3.25 Gbps Input Eye, 30 Inch FR4 Input Channel (TP2 from Figure 9)

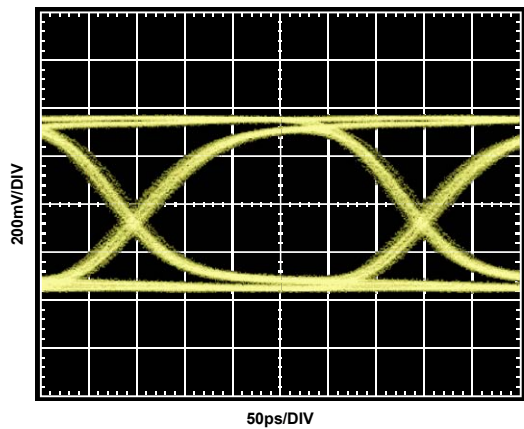


Figure 12. 3.25 Gbps Output Eye, 30 Inch FR4 Input Channel, Best EQ Setting (TP3 from Figure 9)

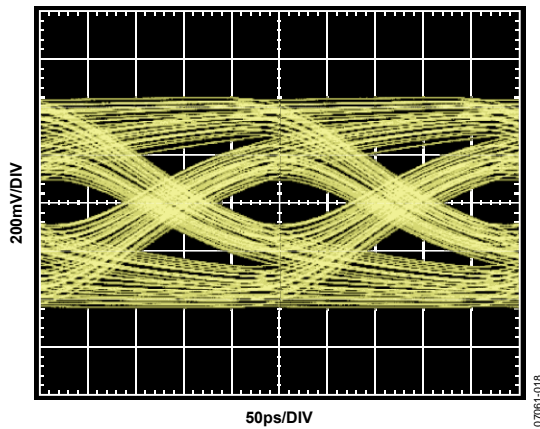


Figure 11. 4.25 Gbps Input Eye, 30 Inch FR4 Input Channel (TP2 from Figure 9)

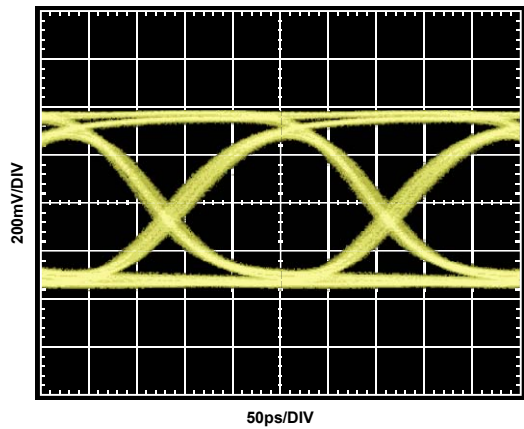
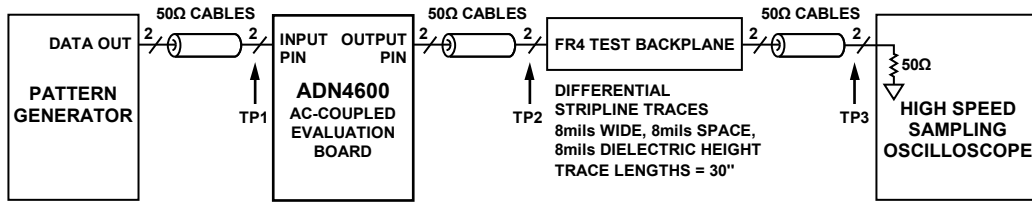


Figure 13. 4.25 Gbps Output Eye, 30 Inch FR4 Input Channel, Best EQ Setting (TP3 from Figure 9)

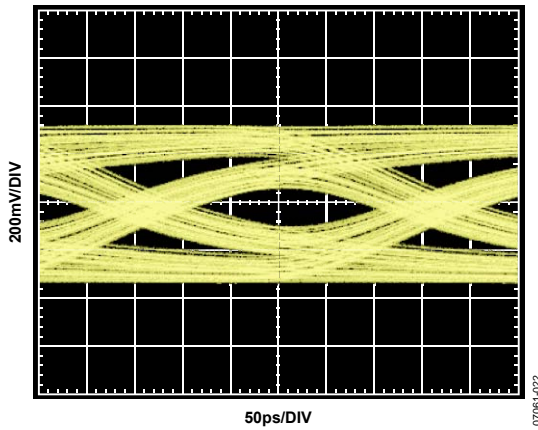
ADN4600

Figure 15 to Figure 18 were obtained using the standard test circuit shown in Figure 14.



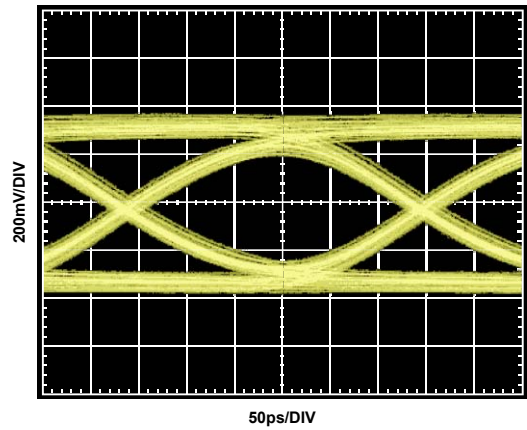
07061-021

Figure 14. Output Pre-Emphasis Test Circuit, FR4



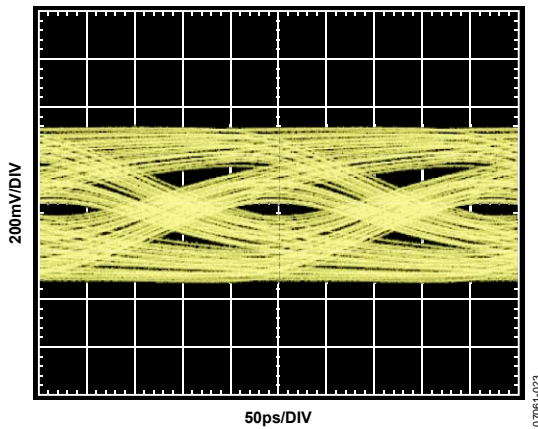
07061-022

Figure 15. 3.25 Gbps Output Eye, 30 Inch FR4 Output Channel, PE = 0 (TP3 from Figure 14)



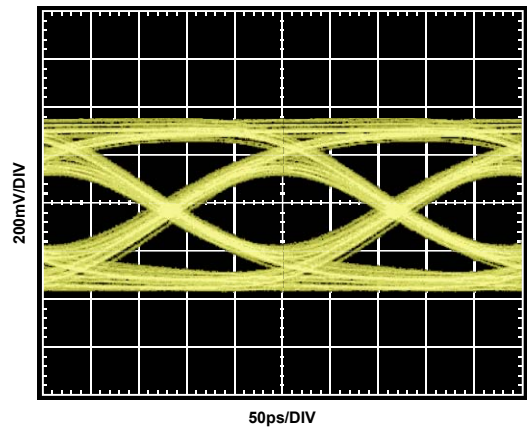
07061-024

Figure 17. 3.25 Gbps Output Eye, 30 Inch FR4 Output Channel, PE = Best Setting (TP3 from Figure 14)



07061-023

Figure 16. 4.25 Gbps Output Eye, 30 Inch FR4 Output Channel, PE = 0 (TP3 from Figure 14)



07061-025

Figure 18. 4.25 Gbps Output Eye, 30 Inch FR4 Output Channel, PE = Best Setting (TP3 from Figure 14)

Test conditions: $V_{CC} = 1.8\text{ V}$, $V_{EE} = 0\text{ V}$, $V_{TTI} = V_{TTO} = V_{CC}$, $R_L = 50\ \Omega$, differential output swing = 800 mV p-p differential, $T_A = 25^\circ\text{C}$, unless otherwise noted.

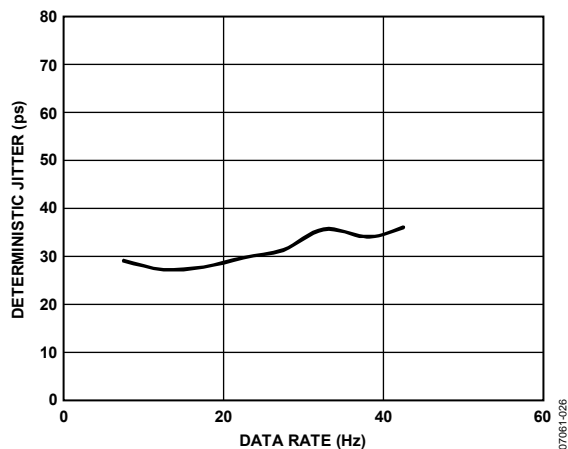


Figure 19. Deterministic Jitter vs. Data Rate

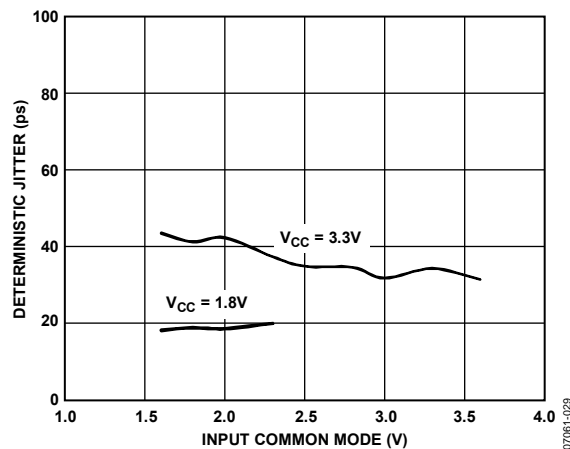


Figure 22. Deterministic Jitter vs. Input Common Mode

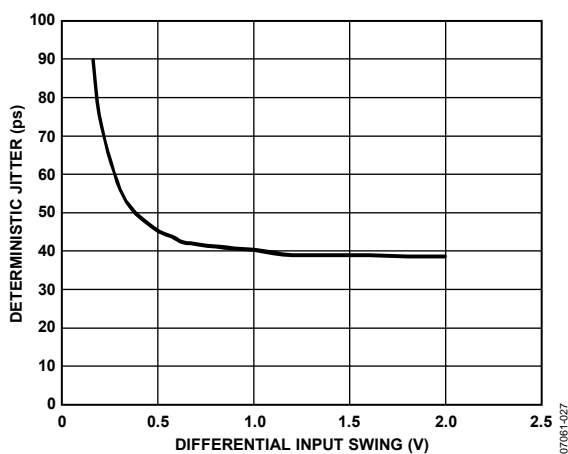


Figure 20. Deterministic Jitter vs. Input Swing

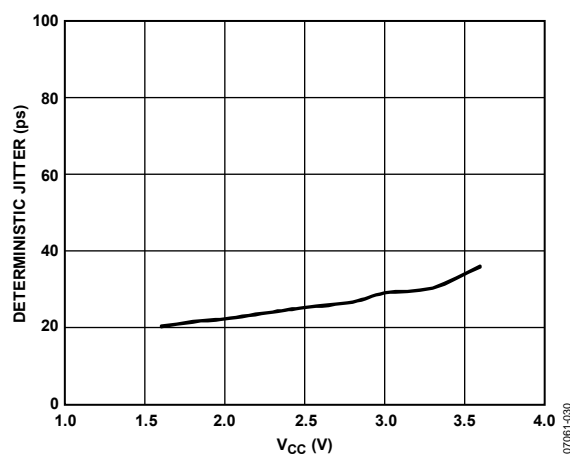


Figure 23. Deterministic Jitter vs. Supply Voltage

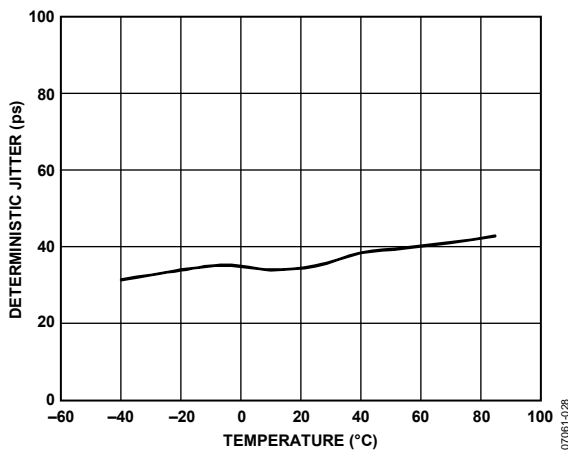


Figure 21. Deterministic Jitter vs. Temperature

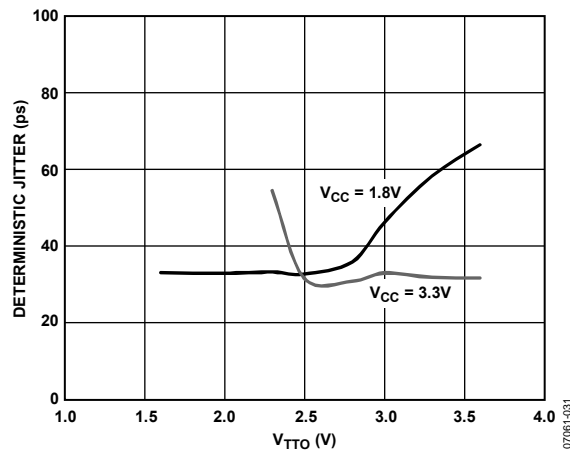


Figure 24. Deterministic Jitter vs. Output Termination Voltage

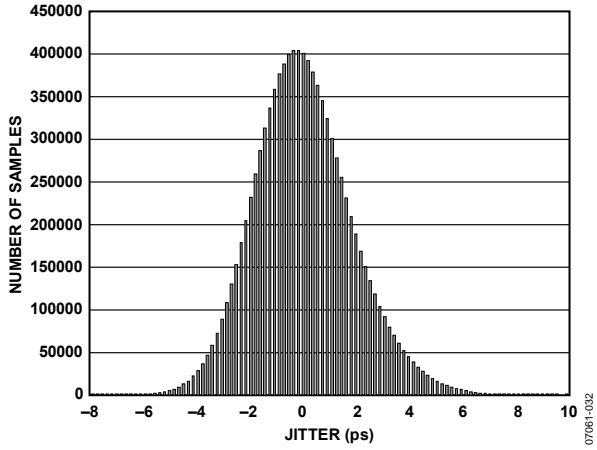


Figure 25. Random Jitter Histogram

07061-032

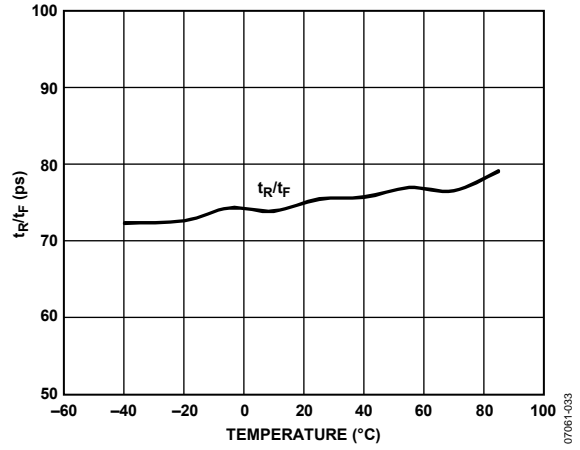


Figure 26. Rise Time/Fall Time vs. Temperature

07061-033

THEORY OF OPERATION

INTRODUCTION

The ADN4600 is an 8 × 8, buffered, asynchronous, 8-channel crosspoint switch that allows fully nonblocking connectivity between its transmitters and receivers. The switch supports multicast and broadcast operation, allowing the ADN4600 to work in redundancy and port-replication applications.

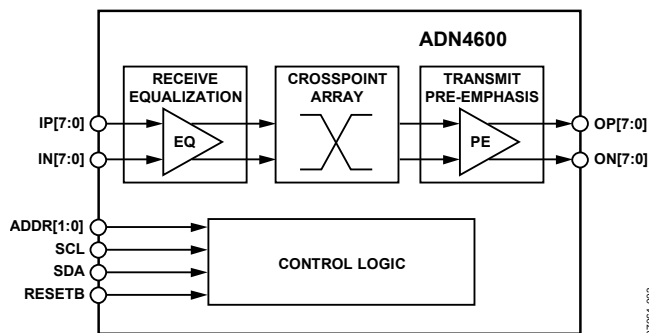


Figure 27. Simplified Functional Block Diagram

The ADN4600 offers extensively programmable output levels and pre-emphasis, as well as a squelch function and the ability to fully disable the device. The receivers integrate a programmable, multizero transfer function that has been optimized to compensate either typical backplane or typical cable losses. The ADN4600 provides a balanced, high speed switch core that maintains low channel-to-channel skew and preserves edge rates.

The I/O on-chip termination resistors are tied to user-settable supplies to support dc coupling in various logic styles. The ADN4600 supports a wide core supply range; V_{CC} can be set from 1.8 V to 3.3 V. These features together with programmable transmitter output levels allow for several dc- and ac-coupled I/O configurations.

RECEIVERS

Input Structure and Input Levels

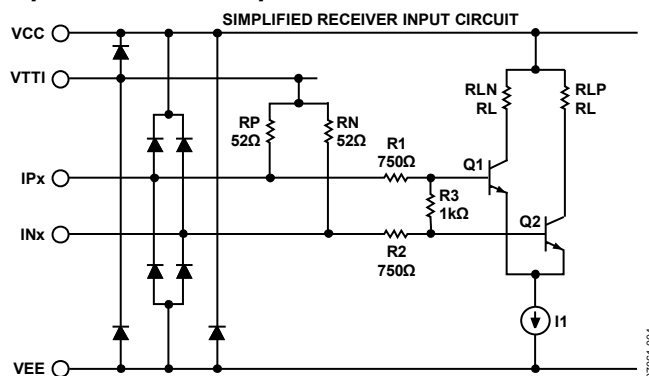


Figure 28. Simplified Input Structure

The ADN4600 receiver inputs incorporate 50 Ω termination resistors, ESD protection, and a multizero transfer function equalizer that can be optimized for backplane and cable operation. Each receive channel also provides a positive/negative (P/N)

inversion function, which allows the user to swap the sign of the input signal path to eliminate the need for board-level crossovers in the receiver channel.

Table 5 illustrates some, but not all, possible combinations of input supply voltages.

Equalization Settings

The ADN4600 receiver incorporates a multizero transfer function with a continuous time equalizer, providing up to 22 dB of high-frequency boost at 2.25 GHz to compensate for up to 30 in. of FR4 at 4.25 Gbps. The ADN4600 also allows independent control of the equalizer transfer function on each channel through the I²C control interface.

In the basic mode of operation, the equalizer transfer function allows independent control of the boost in two frequency ranges for optimal matching with the loss shape of the channel (for example, the shape due primarily to skin effect or to dielectric loss). The total equalizer shape space is reduced to two independent frequency response groups—one optimized for cable and the other optimized for FR4 material. The RX EQ bits of the RX[7:0] configuration registers provide eight settings for each frequency response group to ease programming for typical channels.

Table 6 summarizes the high-frequency boost for the frequency response grouping optimized for the FR4 material; it lists the basic control settings and the typical length of FR4 trace compensated for by each setting. All eight channels of the ADN4600 use the FR4-optimized frequency response grouping by default. The user can override this default by setting the respective RX LUT select bit high and then selecting the frequency response grouping by setting the RX LUT FR4/CX4 bit high for FR4 and low for cable. Setting the RX EQBY bit of the RX[7:0] configuration registers high sets the equalization to 1.5 dB of boost, which compensates for 0 m to 2 m of CX4 or 0 in. to 10 in. of FR4.

In the advanced mode of operation, full control of the equalizer is available through the I²C control interface. The user can specify the boost in the midfrequency range and the boost in the high frequency range independently. This is accomplished by circumventing the frequency response groupings shown in Table 6 by setting the EQ CTL SRC bit (Bit 6 of the RX[7:0] EQ1 control registers) high and writing directly to the equalizer control bits on a per channel basis. Therefore, write values to Bits[5:0] of the RX[7:0] EQ1 control registers and to Bits[5:0] of the RX[7:0] EQ3 control registers for the channel of interest. The bits of these registers are ordered such that Bit 5 is a sign bit, and midlevel boost is centered around 0x00. Setting Bit 5 low and increasing the LSBs decreases the boost, whereas setting Bit 5 high and increasing the LSBs increases the boost.

ADN4600

Table 5. Common Input Voltage Levels

| Configuration | V _{CC} (V) | V _{TTI} (V) |
|---|---------------------|----------------------|
| Low V _{TTI} , AC-Coupled Input | 1.8 | 1.6 |
| Single 1.8 V Supply | 1.8 | 1.8 |
| 3.3 V Core | 3.3 | 1.8 |
| Single 3.3 V Supply | 3.3 | 3.3 |

Table 6. Receive Equalizer Boost vs. Setting

| RX EQ Bit Settings | Boost (dB) | Typical FR4 Trace Length (Inches) |
|--------------------|------------|-----------------------------------|
| 0 | 3.5 | 5 to 10 |
| 1 | 3.9 | 10 to 15 |
| 2 | 4.25 | 15 to 20 |
| 3 | 4.5 | 20 to 25 |
| 4 | 4.75 | 25 to 30 |
| 5 | 5.0 | 30 to 35 |
| 6 | 5.3 | 35 to 40 |
| 7 | 5.5 | 35 to 40 |

Table 7. Equalization Control Registers

| Name | Addr | Bit 7 | Bit 6 | Bit 5 | Bit 4 | Bit 3 | Bit 2 | Bit 1 | Bit 0 | Default |
|-----------------------|--|-------|------------|-----------|-----------|-----------|-----------|---------------|----------------|---------|
| RX[7:0] Configuration | 0xB8, 0xB0, 0xA8, 0xA0, 0x98, 0x90, 0x88, 0x80 | | RX PNSWAP | RX EQBY | RX EN | | RX EQ[2] | RX EQ[1] | RX EQ[0] | 0x30 |
| RX[7:0] EQ1 Control | 0xBB, 0xB3, 0xAB, 0xA3, 0x9B, 0x93, 0x8B, 0x83 | | EQ CTL SRC | RX EQ1[5] | RX EQ1[4] | RX EQ1[3] | RX EQ1[2] | RX EQ1[1] | RX EQ1[0] | 0x00 |
| RX[7:0] EQ3 Control | 0xBC, 0xB4, 0xAC, 0xA4, 0x9C, 0x94, 0x8C, 0x84 | | | RX EQ3[5] | RX EQ3[4] | RX EQ3[3] | RX EQ3[2] | RX EQ3[1] | RX EQ3[0] | 0x00 |
| RX[7:0] FR4 Control | 0xBD, 0xB5, 0xAD, 0xA5, 0x9D, 0x95, 0x8D, 0x85 | | | | | | | RX LUT select | RX LUT FR4/CX4 | 0x00 |

Lane Inversion

The receiver P/N inversion feature is a convenience intended to allow the user to implement the equivalent of a board-level crossover in a much smaller area and without additional via impedance discontinuities that degrade the high-frequency integrity of the signal path. The P/N inversion is independent

for each of the eight channels and is controlled through the I²C control interface.

Warning

Using the lane inversion feature to account for signal inversions downstream of the receiver requires additional attention when switching connectivity.

SWITCH CORE

The ADN4600 switch core is a fully nonblocking 8×8 array that allows multicast and broadcast configurations. The configuration of the switch core is controlled through the I²C control interface. The control interface receives and stores the desired connection matrix for the eight input and eight output signal pairs. The interface consists of eight rows of double-rank latches, one for each output. The 2-bit data-word stored in these latches indicates to which (if any) of the eight inputs the output will be connected.

One output at a time can be preprogrammed by addressing the output and writing the desired connection data into the first rank of latches. This is done by writing to the XPT configuration register (Address 0x40). The output being addressed is written into Bits[2:0], and the input being sent to this output is written into Bits[6:4]. This process can be repeated until each of the

desired output changes has been preprogrammed. Bit 3 of the XPT configuration register (Address 0x40) signals whether a broadcast condition is desired. If this bit is set high, the input selected by Bits[6:4] is sent to all outputs. All output connections can then be programmed simultaneously by passing the data from the first rank of latches into the second rank by writing 0x01 to the XPT update register (Address 0x41). This is a self-clearing register and therefore always reads back as 0x00. The output connections always reflect the data programmed into the second rank of latches and do not change until the first rank of data is passed into the second rank by strobing the XPT update register.

If necessary for system verification, the data in the first rank of latches can be read back from the control interface. This is done by reading from the XPT Temp[3:0] registers, which show the status of the input data programmed in the first rank of latches for each output.

Table 8. Switch Core Control and Status Registers

| Name | Addr | Bit 7 | Bit 6 | Bit 5 | Bit 4 | Bit 3 | Bit 2 | Bit 1 | Bit 0 | Default |
|-------------------|------|-------|-------------|-------------|-------------|-----------|--------------|--------------|--------------|---------|
| XPT Configuration | 0x40 | | IN PORT [2] | IN PORT [1] | IN PORT [0] | Broadcast | OUT PORT [2] | OUT PORT [1] | OUT PORT [0] | 0x00 |
| XPT Update | 0x41 | | | | | | | | Update | 0x00 |
| XPT Status 0 | 0x50 | | | | | | OUT0[2] | OUT0[1] | OUT0[0] | N/A |
| XPT Status 1 | 0x51 | | | | | | OUT1[2] | OUT1[1] | OUT1[0] | N/A |
| XPT Status 2 | 0x52 | | | | | | OUT2[2] | OUT2[1] | OUT2[0] | N/A |
| XPT Status 3 | 0x53 | | | | | | OUT3[2] | OUT3[1] | OUT3[0] | N/A |
| XPT Status 4 | 0x54 | | | | | | OUT4[2] | OUT4[1] | OUT4[0] | N/A |
| XPT Status 5 | 0x55 | | | | | | OUT5[2] | OUT5[1] | OUT5[0] | N/A |
| XPT Status 6 | 0x56 | | | | | | OUT6[2] | OUT6[1] | OUT6[0] | N/A |
| XPT Status 7 | 0x57 | | | | | | OUT7[2] | OUT7[1] | OUT7[0] | N/A |

Table 9. Switch Core Temporary Registers

| Name | Addr | Bit 7 | Bit 6 | Bit 5 | Bit 4 | Bit 3 | Bit 2 | Bit 1 | Bit 0 | Default |
|------------|------|-------|---------|---------|---------|-------|---------|---------|---------|---------|
| XPT Temp 0 | 0x58 | | OUT1[2] | OUT1[1] | OUT1[0] | | OUT0[2] | OUT0[1] | OUT0[0] | N/A |
| XPT Temp 1 | 0x59 | | OUT3[2] | OUT3[1] | OUT3[0] | | OUT2[2] | OUT2[1] | OUT2[0] | N/A |
| XPT Temp 2 | 0x5A | | OUT5[2] | OUT5[1] | OUT5[0] | | OUT4[2] | OUT4[1] | OUT4[0] | N/A |
| XPT Temp 3 | 0x5B | | OUT7[2] | OUT7[1] | OUT7[0] | | OUT6[2] | OUT6[1] | OUT6[0] | N/A |

TRANSMITTERS

Output Structure and Output Levels

The ADN4600 transmitter outputs incorporate 50 Ω termination resistors, ESD protection, and output current switch. Each channel provides independent control of both the absolute output level and the pre-emphasis output level. It should be noted that the choice of output level affects the output common-mode level. A 600 mV p-p differential output level with full pre-emphasis range requires an output termination voltage of 2.5 V or greater; therefore, for the VTTO pin, V_{CC} must be equal to or greater than 2.5 V.

Pre-Emphasis

The total output amplitude and pre-emphasis setting space is reduced to a single map of basic settings that provides seven settings of output equalization to ease programming for typical channels. The full resolution of seven settings is available through the I²C interface by writing to Bits[2:0] (the TX PE[2:0] bits) of the TX[7:0] configuration registers. Table 10 summarizes the absolute output level, pre-emphasis level, and high frequency boost for each of the control settings and the typical length of FR4 trace compensated for by each setting.

Full control of the transmit output levels is available through the I²C control interface. This full control is achieved by writing to the TX[7:0] Output Level Control[1:0] registers for the channel of interest. The supported output levels are shown in Table 12. The TX[7:0] Output Level Control[1:0] registers must be programmed to one of the supported settings listed in this table; other settings are not supported.

The output equalization is optimized for less than 2.5 Gbps operation, but can be optimized for higher speed applications up to 4.25 Gbps through the I²C control interface by writing to the TX DATA RATE bit (Bit 4) of the TX[7:0] configuration register, with high representing 4.25 Gbps and low representing 2.5 Gbps. The TX[7:0] CTL SRC bit (Bit 7) in the TX[7:0] Output Level Control 1 register determines whether the pre-emphasis and output current controls for the channel of interest are selected from the optimized map or directly from the TX[7:0] Output Level Control[1:0] registers (per channel). Setting this bit high selects pre-emphasis control directly from the TX[7:0] Output Level Control[1:0] registers, and setting it low selects pre-emphasis control from the optimized map.

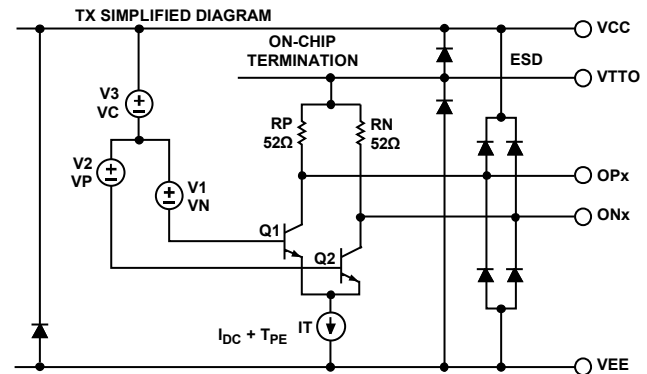


Figure 29. Simplified Output Structure

Table 10. Transmit Pre-Emphasis Boost and Overshoot vs. Setting

| TX PE | Boost (dB) | Overshoot | DC Swing (mV p-p Differential) | Typical FR4 Trace Length (Inches) |
|-------|------------|-----------|--------------------------------|-----------------------------------|
| 0 | 0 | 0% | 800 | 0 to 5 |
| 1 | 2 | 25% | 800 | 0 to 5 |
| 2 | 3.5 | 50% | 800 | 10 to 15 |
| 3 | 4.9 | 75% | 800 | 15 to 20 |
| 4 | 6 | 100% | 800 | 25 to 30 |
| 5 | 7.4 | 133% | 600 | 30 to 35 |
| 6 | 9.5 | 200% | 400 | 35 to 40 |

Table 11. Transmitters Control Registers

| Name | Addr | Bit 7 | Bit 6 | Bit 5 | Bit 4 | Bit 3 | Bit 2 | Bit 1 | Bit 0 | Def. |
|--------------------------------|--|-----------------|-------|-------|--------------------|-------|----------|----------|----------|------|
| TX[7:0] Configuration | 0xE0, 0xE8, 0xF0, 0xF8, 0xD8, 0xD0, 0xC8, 0xC0 | | | TX EN | TX data rate | | TX PE[2] | TX PE[1] | TX PE[0] | 0x20 |
| TX[7:0] Output Level Control 1 | 0xE1, 0xE9, 0xF1, 0xF9, 0xD9, 0xD1, 0xC9, 0xC1 | TX[7:0] CTL SRC | | | TX[7:0]_OLEV1[6:0] | | | | | 0x40 |
| TX[7:0] Output Level Control 0 | 0xE2, 0xEA, 0xF2, 0xFA, 0xDA, 0xD2, 0xCA, 0xC2 | | | | TX[7:0]_OLEV0[6:0] | | | | | 0x40 |

Table 12. Output Level Programming

| V _{OD} (mV) | V _D Peak (mV) | PE (dB) | I _{TOT} (mA) | Tx[7:0] Output Level Control 0 | Tx[7:0] Output Level Control 1 |
|----------------------|--------------------------|---------|-----------------------|--------------------------------|--------------------------------|
| 50 | 50 | 0.00 | 2 | 0x00 | 0x81 |
| 50 | 150 | 9.54 | 6 | 0x11 | 0x81 |
| 50 | 250 | 13.98 | 10 | 0x22 | 0x81 |
| 50 | 350 | 16.90 | 14 | 0x33 | 0x81 |
| 50 | 450 | 19.08 | 18 | 0x44 | 0x81 |
| 50 | 550 | 20.83 | 22 | 0x55 | 0x81 |
| 50 | 650 | 22.28 | 26 | 0x66 | 0x81 |
| 100 | 100 | 0.00 | 4 | 0x00 | 0x91 |
| 100 | 200 | 6.02 | 8 | 0x11 | 0x91 |
| 100 | 300 | 9.54 | 12 | 0x22 | 0x91 |
| 100 | 400 | 12.04 | 16 | 0x33 | 0x91 |
| 100 | 500 | 13.98 | 20 | 0x44 | 0x91 |
| 100 | 600 | 15.56 | 24 | 0x55 | 0x91 |
| 100 | 700 | 16.90 | 28 | 0x66 | 0x91 |
| 150 | 150 | 0.00 | 6 | 0x00 | 0x92 |
| 150 | 250 | 4.44 | 10 | 0x11 | 0x92 |
| 150 | 350 | 7.36 | 14 | 0x22 | 0x92 |
| 150 | 450 | 9.54 | 18 | 0x33 | 0x92 |
| 150 | 550 | 11.29 | 22 | 0x44 | 0x92 |
| 150 | 650 | 12.74 | 26 | 0x55 | 0x92 |
| 150 | 750 | 13.98 | 30 | 0x66 | 0x92 |
| 200 | 200 | 0.00 | 8 | 0x00 | 0xA2 |
| 200 | 300 | 3.52 | 12 | 0x11 | 0xA2 |
| 200 | 400 | 6.02 | 16 | 0x22 | 0xA2 |
| 200 | 500 | 7.96 | 20 | 0x33 | 0xA2 |
| 200 | 600 | 9.54 | 24 | 0x44 | 0xA2 |
| 200 | 700 | 10.88 | 28 | 0x55 | 0xA2 |
| 200 | 800 | 12.04 | 32 | 0x66 | 0xA2 |
| 250 | 250 | 0.00 | 10 | 0x00 | 0xA3 |
| 250 | 350 | 2.92 | 14 | 0x11 | 0xA3 |
| 250 | 450 | 5.11 | 18 | 0x22 | 0xA3 |
| 250 | 550 | 6.85 | 22 | 0x33 | 0xA3 |
| 250 | 650 | 8.30 | 26 | 0x44 | 0xA3 |
| 250 | 750 | 9.54 | 30 | 0x55 | 0xA3 |
| 250 | 850 | 10.63 | 34 | 0x66 | 0xA3 |
| 300 | 300 | 0.00 | 12 | 0x00 | 0xB3 |
| 300 | 400 | 2.50 | 16 | 0x11 | 0xB3 |
| 300 | 500 | 4.44 | 20 | 0x22 | 0xB3 |
| 300 | 600 | 6.02 | 24 | 0x33 | 0xB3 |
| 300 | 700 | 7.36 | 28 | 0x44 | 0xB3 |
| 300 | 800 | 8.52 | 32 | 0x55 | 0xB3 |
| 300 | 900 | 9.54 | 36 | 0x66 | 0xB3 |
| 350 | 350 | 0.00 | 14 | 0x00 | 0xB4 |
| 350 | 450 | 2.18 | 18 | 0x11 | 0xB4 |
| 350 | 550 | 3.93 | 22 | 0x22 | 0xB4 |
| 350 | 650 | 5.38 | 26 | 0x33 | 0xB4 |
| 350 | 750 | 6.62 | 30 | 0x44 | 0xB4 |
| 350 | 850 | 7.71 | 34 | 0x55 | 0xB4 |
| 350 | 950 | 8.67 | 38 | 0x66 | 0xB4 |
| 400 | 400 | 0.00 | 16 | 0x00 | 0xC4 |
| 400 | 500 | 1.94 | 20 | 0x11 | 0xC4 |
| 400 | 600 | 3.52 | 24 | 0x22 | 0xC4 |

ADN4600

| V _{DD} (mV) | V _D Peak (mV) | PE (dB) | I _{TOT} (mA) | Tx[7:0] Output Level Control 0 | Tx[7:0] Output Level Control 1 |
|----------------------|--------------------------|---------|-----------------------|--------------------------------|--------------------------------|
| 400 | 700 | 4.86 | 28 | 0x33 | 0xC4 |
| 400 | 800 | 6.02 | 32 | 0x44 | 0xC4 |
| 400 | 900 | 7.04 | 36 | 0x55 | 0xC4 |
| 400 | 1000 | 7.96 | 40 | 0x66 | 0xC4 |
| 450 | 450 | 0.00 | 18 | 0x00 | 0xC5 |
| 450 | 550 | 1.74 | 22 | 0x11 | 0xC5 |
| 450 | 650 | 3.19 | 26 | 0x22 | 0xC5 |
| 450 | 750 | 4.44 | 30 | 0x33 | 0xC5 |
| 450 | 850 | 5.52 | 34 | 0x44 | 0xC5 |
| 450 | 950 | 6.49 | 38 | 0x55 | 0xC5 |
| 450 | 1050 | 7.36 | 42 | 0x66 | 0xC5 |
| 500 | 500 | 0.00 | 20 | 0x00 | 0xD5 |
| 500 | 600 | 1.58 | 24 | 0x11 | 0xD5 |
| 500 | 700 | 2.92 | 28 | 0x22 | 0xD5 |
| 500 | 800 | 4.08 | 32 | 0x33 | 0xD5 |
| 500 | 900 | 5.11 | 36 | 0x44 | 0xD5 |
| 500 | 1000 | 6.02 | 40 | 0x55 | 0xD5 |
| 500 | 1100 | 6.85 | 44 | 0x66 | 0xD5 |
| 550 | 550 | 0.00 | 22 | 0x00 | 0xD6 |
| 550 | 650 | 1.45 | 26 | 0x11 | 0xD6 |
| 550 | 750 | 2.69 | 30 | 0x22 | 0xD6 |
| 550 | 850 | 3.78 | 34 | 0x33 | 0xD6 |
| 550 | 950 | 4.75 | 38 | 0x44 | 0xD6 |
| 550 | 1050 | 5.62 | 42 | 0x55 | 0xD6 |
| 550 | 1150 | 6.41 | 46 | 0x66 | 0xD6 |
| 600 | 600 | 0.00 | 24 | 0x00 | 0xE6 |
| 600 | 700 | 1.34 | 28 | 0x11 | 0xE6 |
| 600 | 800 | 2.50 | 32 | 0x22 | 0xE6 |
| 600 | 900 | 3.52 | 36 | 0x33 | 0xE6 |
| 600 | 1000 | 4.44 | 40 | 0x44 | 0xE6 |
| 600 | 1100 | 5.26 | 44 | 0x55 | 0xE6 |
| 600 | 1200 | 6.02 | 48 | 0x66 | 0xE6 |
| 650 | 650 | 0.00 | 26 | 0x01 | 0xE6 |
| 650 | 750 | 1.24 | 30 | 0x12 | 0xE6 |
| 650 | 850 | 2.33 | 34 | 0x23 | 0xE6 |
| 650 | 950 | 3.30 | 38 | 0x34 | 0xE6 |
| 650 | 1050 | 4.17 | 42 | 0x45 | 0xE6 |
| 650 | 1150 | 4.96 | 46 | 0x56 | 0xE6 |
| 700 | 700 | 0.00 | 28 | 0x02 | 0xE6 |
| 700 | 800 | 1.16 | 32 | 0x13 | 0xE6 |
| 700 | 900 | 2.18 | 36 | 0x24 | 0xE6 |
| 700 | 1000 | 3.10 | 40 | 0x35 | 0xE6 |
| 700 | 1100 | 3.93 | 44 | 0x46 | 0xE6 |
| 750 | 750 | 0.00 | 30 | 0x03 | 0xE6 |
| 750 | 850 | 1.09 | 34 | 0x14 | 0xE6 |
| 750 | 950 | 2.05 | 38 | 0x25 | 0xE6 |
| 750 | 1050 | 2.92 | 42 | 0x36 | 0xE6 |
| 800 | 800 | 0.00 | 32 | 0x04 | 0xE6 |
| 800 | 900 | 1.02 | 36 | 0x15 | 0xE6 |
| 800 | 1000 | 1.94 | 40 | 0x26 | 0xE6 |
| 850 | 850 | 0.00 | 34 | 0x05 | 0xE6 |
| 850 | 950 | 0.97 | 38 | 0x16 | 0xE6 |
| 900 | 900 | 0.00 | 36 | 0x06 | 0xE6 |

High Current Setting and Output Level Shift

In low voltage applications, users must pay careful attention to both the differential and common-mode signal levels (see Figure 30 and Table 13). Failure to understand the implications of signal level and choice of ac or dc coupling will almost certainly lead to transistor saturation and poor transmitter performance.

TxHeadroom

There is a TxHeadroom register (I²C Register Address 0x23) that allows configuration of the individual transmitters for extra headroom at the output for high current applications. The bits in this register are active high (default). There is one bit for each transmitter of the device (see Table 17). Setting this bit high puts the respective transmitter in a configuration for extra headroom, and setting this bit low does not provide extra headroom.

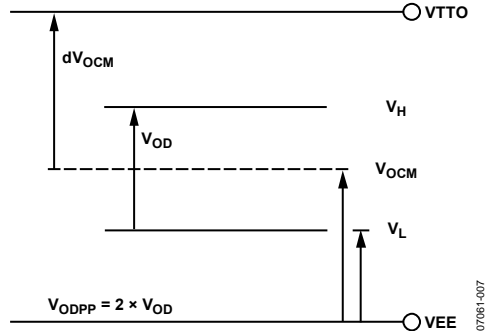


Figure 30. Simplified Output Voltage Levels Diagram

Signal Levels and Common-Mode Shift for DC- and AC-Coupled Outputs

Table 13. Signal Levels and Common-Mode Shift for DC- and AC-Coupled Outputs

| Output Levels and Output Compliance | | | | | AC-Coupled Transmitter | | | | | DC-Coupled Transmitter | | | | | TxHeadroom = 0 | | | TxHeadroom = 1 | | | |
|---|-----------------------|--------------------------|----------|---------|------------------------|--------------------|--------------------|-------------------------|-------------------------|------------------------|--------------------|--------------------|-------------------------|-------------------------|------------------------|--|-------------------------|------------------------|--|-------------------------|--|
| V _{OD} (mV) | I _{TOT} (mA) | V _D Peak (mV) | PE Boost | PE (dB) | dV _{OCM} (mV) | V _H (V) | V _L (V) | V _H Peak (V) | V _L Peak (V) | dV _{OCM} (mV) | V _H (V) | V _L (V) | V _H Peak (V) | V _L Peak (V) | Min V _L (V) | Max V _{CC} - V _L (V) | Min V _{CC} (V) | Min V _L (V) | Max V _{CC} - V _L (V) | Min V _{CC} (V) | |
| V_{TT0} and V_{CC} = 3.3 V | | | | | | | | | | | | | | | | | | | | | |
| 200 | 8 | 200 | 1.00 | 0.00 | 200 | 3.2 | 3 | 3.2 | 3 | 100 | 3.3 | 3.1 | 3.3 | 3.1 | 2.225 | 1.1 | 1.8 | 2 | 1.2 | 2 | |
| 200 | 12 | 300 | 1.50 | 3.52 | 300 | 3.1 | 2.9 | 3.15 | 2.85 | 150 | 3.25 | 3.05 | 3.3 | 3 | 2.225 | 1.1 | 1.8 | 2 | 1.2 | 2 | |
| 200 | 16 | 400 | 2.00 | 6.02 | 400 | 3 | 2.8 | 3.1 | 2.7 | 200 | 3.2 | 3 | 3.3 | 2.9 | 2.225 | 1.1 | 1.8 | 2 | 1.2 | 2 | |
| 200 | 20 | 500 | 2.50 | 7.96 | 500 | 2.9 | 2.7 | 3.05 | 2.55 | 250 | 3.15 | 2.95 | 3.3 | 2.8 | 2.225 | 1.1 | 1.8 | 2 | 1.2 | 2 | |
| 200 | 24 | 600 | 3.00 | 9.54 | 600 | 2.8 | 2.6 | 3 | 2.4 | 300 | 3.1 | 2.9 | 3.3 | 2.7 | 2.225 | 1.1 | 1.8 | 2 | 1.2 | 2 | |
| 200 | 28 | 700 | 3.50 | 10.88 | 700 | 2.7 | 2.5 | 2.95 | 2.25 | 350 | 3.05 | 2.85 | 3.3 | 2.6 | 2.225 | 1.1 | 1.9 | 2 | 1.2 | 2.2 | |
| 200 | 32 | 800 | 4.00 | 12.04 | 800 | 2.6 | 2.4 | 2.9 | 2.1 | 400 | 3 | 2.8 | 3.3 | 2.5 | 2.225 | 1.1 | 1.9 | 2 | 1.2 | 2.2 | |
| 300 | 12 | 300 | 1.00 | 0.00 | 300 | 3.15 | 2.85 | 3.15 | 2.85 | 150 | 3.3 | 3 | 3.3 | 3 | 2.225 | 1.1 | 1.8 | 2 | 1.2 | 2 | |
| 300 | 16 | 400 | 1.33 | 2.50 | 400 | 3.05 | 2.75 | 3.1 | 2.7 | 200 | 3.25 | 2.95 | 3.3 | 2.9 | 2.225 | 1.1 | 1.8 | 2 | 1.2 | 2 | |
| 300 | 20 | 500 | 1.67 | 4.44 | 500 | 2.95 | 2.65 | 3.05 | 2.55 | 250 | 3.2 | 2.9 | 3.3 | 2.8 | 2.225 | 1.1 | 1.8 | 2 | 1.2 | 2 | |
| 300 | 24 | 600 | 2.00 | 6.02 | 600 | 2.85 | 2.55 | 3 | 2.4 | 300 | 3.15 | 2.85 | 3.3 | 2.7 | 2.225 | 1.1 | 1.8 | 2 | 1.2 | 2 | |
| 300 | 28 | 700 | 2.33 | 7.36 | 700 | 2.75 | 2.45 | 2.95 | 2.25 | 350 | 3.1 | 2.8 | 3.3 | 2.6 | 2.225 | 1.1 | 1.8 | 2 | 1.2 | 2 | |
| 300 | 32 | 800 | 2.67 | 8.52 | 800 | 2.65 | 2.35 | 2.9 | 2.1 | 400 | 3.05 | 2.75 | 3.3 | 2.5 | 2.225 | 1.1 | 1.9 | 2 | 1.2 | 2.2 | |
| 300 | 36 | 900 | 3.00 | 9.54 | 900 | 2.55 | 2.25 | 2.85 | 1.95 | 450 | 3 | 2.7 | 3.3 | 2.4 | 2.225 | 1.1 | 1.9 | 2 | 1.2 | 2.2 | |
| 400 | 16 | 400 | 1.00 | 0.00 | 400 | 3.1 | 2.7 | 3.1 | 2.7 | 200 | 3.3 | 2.9 | 3.3 | 2.9 | 2.225 | 1.1 | 1.8 | 2 | 1.2 | 2 | |
| 400 | 20 | 500 | 1.25 | 1.94 | 500 | 3 | 2.6 | 3.05 | 2.55 | 250 | 3.25 | 2.85 | 3.3 | 2.8 | 2.225 | 1.1 | 1.8 | 2 | 1.2 | 2 | |
| 400 | 24 | 600 | 1.50 | 3.52 | 600 | 2.9 | 2.5 | 3 | 2.4 | 300 | 3.2 | 2.8 | 3.3 | 2.7 | 2.225 | 1.1 | 1.8 | 2 | 1.2 | 2 | |
| 400 | 28 | 700 | 1.75 | 4.86 | 700 | 2.8 | 2.4 | 2.95 | 2.25 | 350 | 3.15 | 2.75 | 3.3 | 2.6 | 2.225 | 1.1 | 1.8 | 2 | 1.2 | 2 | |
| 400 | 32 | 800 | 2.00 | 6.02 | 800 | 2.7 | 2.3 | 2.9 | 2.1 | 400 | 3.1 | 2.7 | 3.3 | 2.5 | 2.225 | 1.1 | 1.8 | 2 | 1.2 | 2 | |
| 400 | 36 | 900 | 2.25 | 7.04 | 900 | 2.6 | 2.2 | 2.85 | 1.95 | 450 | 3.05 | 2.65 | 3.3 | 2.4 | 2.225 | 1.1 | 1.9 | 2 | 1.2 | 2.2 | |
| 400 | 40 | 1000 | 2.50 | 7.96 | 1000 | 2.5 | 2.1 | 2.8 | 1.8 | 500 | 3 | 2.6 | 3.3 | 2.3 | 2.225 | 1.1 | 1.9 | 2 | 1.2 | 2.2 | |
| 600 | 24 | 600 | 1.00 | 0.00 | 600 | 3 | 2.4 | 3 | 2.4 | 300 | 3.3 | 2.7 | 3.3 | 2.7 | 2.1 | 1.1 | 1.9 | 2 | 1.2 | 2.2 | |
| 600 | 28 | 700 | 1.17 | 1.34 | 700 | 2.9 | 2.3 | 2.95 | 2.25 | 350 | 3.25 | 2.65 | 3.3 | 2.6 | 2.225 | 1.1 | 1.9 | 2 | 1.2 | 2.2 | |
| 600 | 32 | 800 | 1.33 | 2.50 | 800 | 2.8 | 2.2 | 2.9 | 2.1 | 400 | 3.2 | 2.6 | 3.3 | 2.5 | 2.225 | 1.1 | 1.9 | 2 | 1.2 | 2.2 | |
| 600 | 36 | 900 | 1.50 | 3.52 | 900 | 2.7 | 2.1 | 2.85 | 1.95 | 450 | 3.15 | 2.55 | 3.3 | 2.4 | 2.225 | 1.1 | 1.9 | 2 | 1.2 | 2.2 | |
| 600 | 40 | 1000 | 1.67 | 4.44 | 1000 | 2.6 | 2 | 2.8 | 1.8 | 500 | 3.1 | 2.5 | 3.3 | 2.3 | 2.225 | 1.1 | 1.9 | 2 | 1.2 | 2.2 | |
| 600 | 44 | 1200 | 1.83 | 5.26 | 1100 | 2.5 | 1.9 | 2.75 | 1.65 | 550 | 3.05 | 2.45 | 3.3 | 2.2 | 2.1 | 1.1 | 1.9 | 2 | 1.2 | 2.2 | |
| 600 | 48 | 1400 | 2.00 | 6.02 | 1200 | 2.4 | 1.8 | 2.7 | 1.5 | 600 | 3 | 2.4 | 3.3 | 2.1 | 2.1 | 1.1 | 1.9 | 2 | 1.2 | 2.2 | |

ADN4600

| Output Levels and Output Compliance | | | | | | AC-Coupled Transmitter | | | | | DC-Coupled Transmitter | | | | | TxHeadroom = 0 | | | TxHeadroom = 1 | |
|---|-----------------------|--------------------------|----------|---------|------------------------|------------------------|--------------------|-------------------------|-------------------------|------------------------|------------------------|--------------------|-------------------------|-------------------------|------------------------|--|-------------------------|------------------------|--|-------------------------|
| V _{OD} (mV) | I _{TOT} (mA) | V _D Peak (mV) | PE Boost | PE (dB) | dV _{OCM} (mV) | V _H (V) | V _L (V) | V _H Peak (V) | V _L Peak (V) | dV _{OCM} (mV) | V _H (V) | V _L (V) | V _H Peak (V) | V _L Peak (V) | Min V _L (V) | Max V _{CC} - V _L (V) | Min V _{CC} (V) | Min V _L (V) | Max V _{CC} - V _L (V) | Min V _{CC} (V) |
| V_{TTO} and V_{CC} = 1.8 V¹ | | | | | | | | | | | | | | | | | | | | |
| 200 | 8 | 200 | 1.00 | 0.00 | 200 | 1.7 | 1.5 | 1.7 | 1.5 | 100 | 1.8 | 1.6 | 1.8 | 1.6 | 0.725 | 1.1 | 1.8 | 0.5 | NA | NA |
| 200 | 12 | 300 | 1.50 | 3.52 | 300 | 1.6 | 1.4 | 1.65 | 1.35 | 150 | 1.75 | 1.55 | 1.8 | 1.5 | 0.725 | 1.1 | 1.8 | 0.5 | NA | NA |
| 200 | 16 | 400 | 2.00 | 6.02 | 400 | 1.5 | 1.3 | 1.6 | 1.2 | 200 | 1.7 | 1.5 | 1.8 | 1.4 | 0.725 | 1.1 | 1.8 | 0.5 | NA | NA |
| 200 | 20 | 500 | 2.50 | 7.96 | 500 | 1.4 | 1.2 | 1.55 | 1.05 | 250 | 1.65 | 1.45 | 1.8 | 1.3 | 0.725 | 1.1 | 1.8 | 0.5 | NA | NA |
| 200 | 24 | 600 | 3.00 | 9.54 | 600 | 1.3 | 1.1 | 1.5 | 0.9 | 300 | 1.6 | 1.4 | 1.8 | 1.2 | 0.725 | 1.1 | 1.8 | 0.5 | NA | NA |
| 300 | 12 | 300 | 1.00 | 0.00 | 300 | 1.65 | 1.35 | 1.65 | 1.35 | 150 | 1.8 | 1.5 | 1.8 | 1.5 | 0.725 | 1.1 | 1.8 | 0.5 | NA | NA |
| 300 | 16 | 400 | 1.33 | 2.50 | 400 | 1.55 | 1.25 | 1.6 | 1.2 | 200 | 1.75 | 1.45 | 1.8 | 1.4 | 0.725 | 1.1 | 1.8 | 0.5 | NA | NA |
| 300 | 20 | 500 | 1.67 | 4.44 | 500 | 1.45 | 1.15 | 1.55 | 1.05 | 250 | 1.7 | 1.4 | 1.8 | 1.3 | 0.725 | 1.1 | 1.8 | 0.5 | NA | NA |
| 300 | 24 | 600 | 2.00 | 6.02 | 600 | 1.35 | 1.05 | 1.5 | 0.9 | 300 | 1.65 | 1.35 | 1.8 | 1.2 | 0.725 | 1.1 | 1.8 | 0.5 | NA | NA |
| 300 | 28 | 700 | 2.33 | 7.36 | 700 | 1.25 | 0.95 | 1.45 | 0.75 | 350 | 1.6 | 1.3 | 1.8 | 1.1 | 0.725 | 1.1 | 1.8 | 0.5 | NA | NA |
| 400 | 16 | 400 | 1.00 | 0.00 | 400 | 1.6 | 1.2 | 1.6 | 1.2 | 200 | 1.8 | 1.4 | 1.8 | 1.4 | 0.725 | 1.1 | 1.8 | 0.5 | NA | NA |
| 400 | 20 | 500 | 1.25 | 1.94 | 500 | 1.5 | 1.1 | 1.55 | 1.05 | 250 | 1.75 | 1.35 | 1.8 | 1.3 | 0.725 | 1.1 | 1.8 | 0.5 | NA | NA |
| 400 | 24 | 600 | 1.50 | 3.52 | 600 | 1.4 | 1 | 1.5 | 0.9 | 300 | 1.7 | 1.3 | 1.8 | 1.2 | 0.725 | 1.1 | 1.8 | 0.5 | NA | NA |
| 400 | 28 | 700 | 1.75 | 4.86 | 700 | 1.3 | 0.9 | 1.45 | 0.75 | 350 | 1.65 | 1.25 | 1.8 | 1.1 | 0.725 | 1.1 | 1.8 | 0.5 | NA | NA |
| 400 | 32 | 800 | 2.00 | 6.02 | 800 | 1.2 | 0.8 | 1.4 | 0.6 | 400 | 1.6 | 1.2 | 1.8 | 1 | 0.725 | 1.1 | 1.8 | 0.5 | NA | NA |
| 600 | 24 | 600 | 1.00 | 0.00 | 600 | 1.5 | 0.9 | 1.5 | 0.9 | 300 | 1.8 | 1.2 | 1.8 | 1.2 | 0.6 | 1.1 | 1.9 | 0.5 | NA | NA |

¹ TxHeadroom = 1 is not an option at V_{TTO} and V_{CC} = 1.8 V.

Table 14. Symbol Definitions for Output Levels vs. Setting

| Symbol | Formula | Definition |
|------------------------------|---|--|
| V _{OD} | $25 \Omega \times I_{DC}$ | Peak differential output voltage |
| V _{ODPP} | $25 \Omega \times I_{DC} \times 2 = 2 \times V_{OD}$ | Peak-to-peak differential output voltage |
| dV _{OCM_DC-COUPLED} | $25 \Omega \times I_{TX}/2 = V_{ODPP}/4 + (I_{PE}/2 \times 25)$ | Output common-mode shift |
| dV _{OCM_AC-COUPLED} | $50 \Omega \times I_{TX}/2 = V_{ODPP}/2 + (I_{PE}/2 \times 50)$ | Output common-mode shift |
| I _{DC} | V_{OD}/R_{TERM} | Output current that sets output level |
| I _{PE} | – | Output current used for PE |
| I _{TX} | $I_{DC} + I_{PE}$ | Total transmitter output current |
| V _H | $V_{TTO} - dV_{OCM} + V_{OD}/2$ | Maximum single-ended output voltage |
| V _L | $V_{TTO} - dV_{OCM} - V_{OD}/2$ | Minimum single-ended output voltage |

Selective Squelch and Disable

Each transmitter is equipped with disable and squelch controls. Disable is a full power-down state: all transmitter current, including output current, is reduced to 0 mA and the output pins are pulled up to VTTO, but there is a delay of approximately 1 μ s associated with re-enabling the transmitter. The output disable control is accessed through the TX EN bit (Bit 5) of the TX[7:0] configuration registers through the I²C control interface.

Squelch simply reduces the output current to submicroamp levels, allowing both output pins to pull up to VTTO through

the output termination resistors. The transmitter recovers from squelch in less than 100 ns.

The output squelch and the output disable control can both be accessed through the TX[7:0] squelch control registers, with the top nibble representing the squelch control and the bottom nibble representing the output disable for one channel. The channels are disabled or squelched by writing 0s to the corresponding nibbles. The channels are enabled by writing all 1s, which is the default setting. For example, to squelch channel TX0, Register 0xC3 must be set to 0x0F. The entire nibble must be written to all 0s for this functionality.

Table 15. Transmitters Squelch Control Registers

| Name | Addr | Bit 7 | Bit 6 | Bit 5 | Bit 4 | Bit 3 | Bit 2 | Bit 1 | Bit 0 | Default |
|-------------------------|---|---------------|-------|-------|-------|---------------|-------|-------|-------|---------|
| TX[7:0] Squelch Control | 0xE3, 0xEB, 0xF3, 0xFB, 0xDB, 0xD3, 0xCB, 0xC3 | SQUELCHb[3:0] | | | | DISABLEb[3:0] | | | | 0xFF |

ADN4600

I²C CONTROL INTERFACE

Serial Interface General Functionality

The ADN4600 register set is controlled through a 2-wire I²C interface. The ADN4600 acts only as an I²C slave device. Therefore, the I²C bus in the system needs to include an I²C master to configure the ADN4600 and other I²C devices that may be on the bus. Data transfers are controlled by the two I²C wires: the SCL input clock pin and the SDA bidirectional data pin.

The ADN4600 I²C interface can be run in the standard (100 kHz) and fast (400 kHz) modes. The SDA line only changes value when the SCL pin is low, with two exceptions: the SDA pin is driven low while the SCL pin is high to indicate the beginning or continuation of a transfer, and the SDA line is driven high while the SCL line is high to indicate the end of a transfer. Therefore, it is important to control the SCL clock to toggle only when the SDA line is stable, unless indicating a start, repeated start, or stop condition.

I²C Interface Data Transfers: Data Write

To write data to the ADN4600 register set, a microcontroller (or any other I²C master) needs to send the appropriate control signals to the ADN4600 slave device. Use the following steps, where the signals are controlled by the I²C master unless otherwise specified. A diagram of the procedure is shown in Figure 31.

1. Send a start condition (that is, while holding the SCL line high, pull the SDA line low).
2. Send the ADN4600 part address (seven bits), whose upper five bits are the static value b10010 and whose lower two bits are controlled by the ADDR1 and ADDR0 input pins. This transfer should be MSB first.
3. Send the write indicator bit (0).
4. Wait for the ADN4600 to acknowledge the request.
5. Send the register address (eight bits) to which data is to be written. This transfer should be MSB first.
6. Wait for the ADN4600 to acknowledge the request.

7. Send the data (eight bits) to be written to the register whose address was set in Step 5. This transfer should be MSB first.
8. Wait for the ADN4600 to acknowledge the request.
9. Send a stop condition (that is, while holding the SCL line high, pull the SDA line high) and release control of the bus.
10. Send a repeated start condition (that is, while holding the SCL line high, pull the SDA line low) and continue with Step 2 in this procedure to perform another write.
11. Send a repeated start condition (that is, while holding the SCL line high, pull the SDA line low) and continue with Step 2 of the read procedure (see the I²C Interface Data Transfers: Data Read section) to perform a read from another address.
12. Send a repeated start condition (that is, while holding the SCL line high, pull the SDA line low) and continue with Step 8 of the read procedure (in the I²C Interface Data Transfers: Data Read section) to perform a read from the same address set in Step 5 of the write procedure.

In Figure 31, the ADN4600 write process is shown. The SCL signal is shown, along with a general write operation and a specific example. In the example, Data 0x92 is written to Register Address 0x6D of an ADN4600 part with a slave address of 0x4B. The slave address is seven bits wide. The upper five bits of the slave address are internally set to b10010. The lower two bits are controlled by the ADDR[1:0] pins. In this example, the bits controlled by the ADDR[1:0] pins are set to b11. In the figure, the corresponding step number is visible in the circle under the waveform. The SCL line is driven by the I²C master, not by the ADN4600 slave. As for the SDA line, the data in the shaded polygons of Figure 31 is driven by the ADN4600, whereas the data in the nonshaded polygons is driven by the I²C master. The end phase case shown corresponds with Step 9.

It is important to note that the SDA line only changes when the SCL line is low, except when a start, stop, or repeated start condition is being sent, as is the case in Step 1 and Step 9.

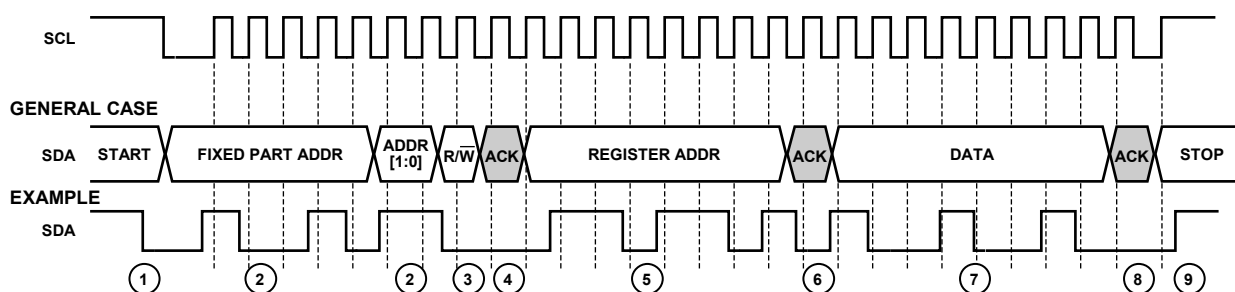


Figure 31. I²C Write Diagram

07061-0108

I²C Interface Data Transfers: Data Read

To read data from the ADN4600 register set, a microcontroller (or any other I²C master) needs to send the appropriate control signals to the ADN4600 slave device. Use the following steps, where the signals are controlled by the I²C master unless otherwise specified. A diagram of the procedure is shown in Figure 32.

1. Send a start condition (that is, while holding the SCL line high, pull the SDA line low).
2. Send the ADN4600 part address (seven bits), whose upper five bits are the static value b10010 and whose lower two bits are controlled by the ADDR1 and ADDR0 input pins. This transfer should be MSB first.
3. Send the write indicator bit (0).
4. Wait for the ADN4600 to acknowledge the request.
5. Send the register address (eight bits) from which data is to be read. This transfer should be MSB first. The register address is kept in the ADN4600 memory until the part is reset or the register address is written over with the same procedure (Step 1 to Step 6 of the write procedure; see the I²C Interface Data Transfers: Data Write section).
6. Wait for the ADN4600 to acknowledge the request.
7. Send a repeated start condition (that is, while holding the SCL line high, pull the SDA line low).
8. Send the ADN4600 part address (seven bits), whose upper five bits are the static value b10010 and whose lower two bits are controlled by the ADDR1 and ADDR0 input pins. This transfer should be MSB first.
9. Send the read indicator bit (1).
10. Wait for the ADN4600 to acknowledge the request.
11. The ADN4600 then serially transfers the data (eight bits) held in the register indicated by the address set in Step 5.
12. Acknowledge the data.
13. Send a stop condition (that is, while holding the SCL line high, pull the SDA line high) and release control of the bus.

14. Send a repeated start condition (that is, while holding the SCL line high, pull the SDA line low) and continue with Step 2 of the write procedure (see the I²C Interface Data Transfers: Data Write section) to perform a write.
15. Send a repeated start condition (that is, while holding the SCL line high, pull the SDA line low) and continue with Step 2 of the read procedure to perform a read from a another address.
16. Send a repeated start condition (that is, while holding the SCL line high, pull the SDA line low) and continue with Step 8 of the read procedure to perform a read from the same address.

In Figure 32, the ADN4600 read process is shown. The SCL signal is shown, along with a general read operation and a specific example. In the example, Data 0x49 is read from Register Address 0x6D of an ADN4600 part with a slave address of 0x4B. The part address is seven bits wide. The upper five bits of the slave address are internally set to b10010. The lower two bits are controlled by the ADDR[1:0] pins. In this example, the bits controlled by the ADDR[1:0] pins are set to b11. In Figure 32, the corresponding step number is visible in the circle under the waveform. The SCL line is driven by the I²C master, not by the ADN4600 slave. As for the SDA line, the data in the shaded polygons of Figure 32 is driven by the ADN4600, whereas the data in the nonshaded polygons is driven by the I²C master. The end phase case shown corresponds with Step 13.

It is important to note that the SDA line only changes when the SCL line is low, except when a start, stop, or repeated start condition is being sent, as is the case in Step 1, Step 7, and Step 13. In Figure 32, Sr represents a repeated start where the SDA line is brought high before SCL is raised. SDA is then dropped while SCL is still high.

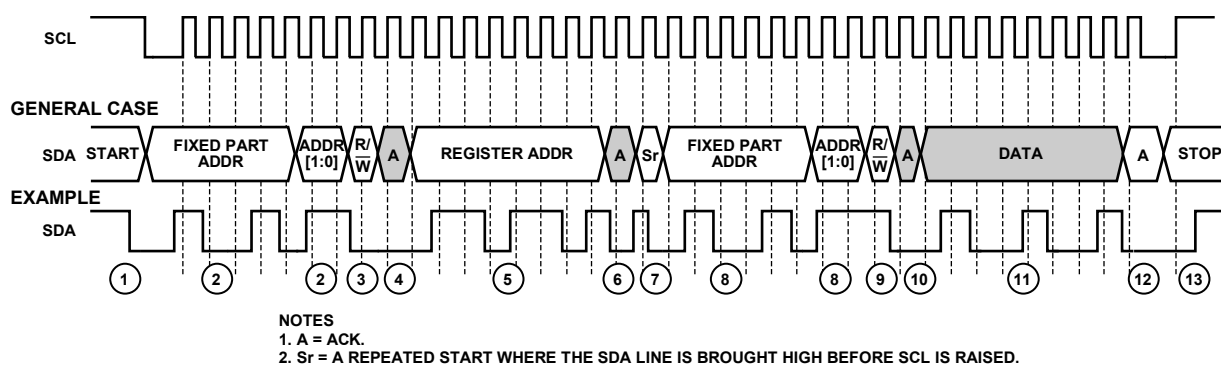


Figure 32. I²C Read Diagram

PCB DESIGN GUIDELINES

Proper RF PCB design techniques must be used for optimal performance.

Power Supply Connections and Ground Planes

Use of one low impedance ground plane is recommended. The VEE pins should be soldered directly to the ground plane to reduce series inductance. If the ground plane is an internal plane and connections to the ground plane are made through vias, multiple vias can be used in parallel to reduce the series inductance. The exposed pad should be connected to the VEE plane using plugged vias so that solder does not leak through the vias during reflow.

Use of a 10 μF electrolytic capacitor between VCC and VEE is recommended at the location where the 3.3 V supply enters the PCB. It is recommended that 0.1 μF and 1 nF ceramic chip capacitors be placed in parallel at each supply pin for high frequency power supply decoupling. When using 0.1 μF and 1 nF ceramic chip capacitors, they should be placed between the IC power supply pins (VCC, VTTI, VTTO) and VEE, as close as possible to the supply pins.

By using adjacent power supply and GND planes, excellent high frequency decoupling can be attained by using close spacing between the planes. This capacitance is given by

$$C_{\text{PLANE}} = 0.88\epsilon_r A/d \text{ (pF)}$$

where:

ϵ_r is the dielectric constant of the PCB material.

A is the area of the overlap of power and GND planes (cm^2).

d is the separation between planes (mm).

For FR4, $\epsilon_r = 4.4$ and 0.25 mm spacing, $C \sim 15 \text{ pF/cm}^2$.

Transmission Lines

Use of 50 Ω transmission lines is required for all high frequency input and output signals to minimize reflections. It is also necessary for the high speed pairs of differential input traces, as well as the high speed pairs of differential output traces, to be matched in length to avoid skew between the differential traces.

Soldering Guidelines for Chip Scale Package

The lands on the LFCSP are rectangular. The printed circuit board pad for these should be 0.1 mm longer than the package land length and 0.05 mm wider than the package land width. The land should be centered on the pad. This ensures that the solder joint size is maximized. The bottom of the chip scale package has a central exposed pad. The pad on the printed circuit board should be at least as large as this exposed pad. The user must connect the exposed pad to VEE using plugged vias so that solder does not leak through the vias during reflow. This ensures a solid connection from the exposed pad to VEE.

CONTROL REGISTER MAP

Table 16. Basic Mode I²C Register Definitions

| Addr (Hex) | Name | Bit 7 | Bit 6 | Bit 5 | Bit 4 | Bit 3 | Bit 2 | Bit 1 | Bit 0 | Default |
|------------|-------------------|-------|------------|------------|--------------|-----------|-------------|-------------|-------------|---------|
| 0x00 | Reset | | | | | | | | Reset | |
| 0x40 | XPT Configuration | | IN PORT[2] | IN PORT[1] | IN PORT[0] | Broadcast | OUT PORT[2] | OUT PORT[1] | OUT PORT[0] | 0x00 |
| 0x41 | XPT Update | | | | | | | | Update | 0x00 |
| 0x50 | XPT Status 0 | | | | | | OUT0[2] | OUT0[1] | OUT0[0] | |
| 0x51 | XPT Status 1 | | | | | | OUT1[2] | OUT1[1] | OUT1[0] | |
| 0x52 | XPT Status 2 | | | | | | OUT2[2] | OUT2[1] | OUT2[0] | |
| 0x53 | XPT Status 3 | | | | | | OUT3[2] | OUT3[1] | OUT3[0] | |
| 0x54 | XPT Status 4 | | | | | | OUT4[2] | OUT4[1] | OUT4[0] | |
| 0x55 | XPT Status 5 | | | | | | OUT5[2] | OUT5[1] | OUT5[0] | |
| 0x56 | XPT Status 6 | | | | | | OUT6[2] | OUT6[1] | OUT6[0] | |
| 0x57 | XPT Status 7 | | | | | | OUT7[2] | OUT7[1] | OUT7[0] | |
| 0x58 | XPT Temp 0 | | OUT1[2] | OUT1[1] | OUT1[0] | | OUT0[2] | OUT0[1] | OUT0[0] | |
| 0x59 | XPT Temp 1 | | OUT3[2] | OUT3[1] | OUT3[0] | | OUT2[2] | OUT2[1] | OUT2[0] | |
| 0x5A | XPT Temp 2 | | OUT5[2] | OUT5[1] | OUT5[0] | | OUT4[2] | OUT4[1] | OUT4[0] | |
| 0x5B | XPT Temp 3 | | OUT7[2] | OUT7[1] | OUT7[0] | | OUT6[2] | OUT6[1] | OUT6[0] | |
| 0x80 | RX0 Configuration | | RX PNSWAP | RX EQBY | RX EN | | RX EQ[2] | RX EQ[1] | RX EQ[0] | 0x30 |
| 0x88 | RX1 Configuration | | RX PNSWAP | RX EQBY | RX EN | | RX EQ[2] | RX EQ[1] | RX EQ[0] | 0x30 |
| 0x90 | RX2 Configuration | | RX PNSWAP | RX EQBY | RX EN | | RX EQ[2] | RX EQ[1] | RX EQ[0] | 0x30 |
| 0x98 | RX3 Configuration | | RX PNSWAP | RX EQBY | RX EN | | RX EQ[2] | RX EQ[1] | RX EQ[0] | 0x30 |
| 0xA0 | RX4 Configuration | | RX PNSWAP | RX EQBY | RX EN | | RX EQ[2] | RX EQ[1] | RX EQ[0] | 0x30 |
| 0xA8 | RX5 Configuration | | RX PNSWAP | RX EQBY | RX EN | | RX EQ[2] | RX EQ[1] | RX EQ[0] | 0x30 |
| 0xB0 | RX6 Configuration | | RX PNSWAP | RX EQBY | RX EN | | RX EQ[2] | RX EQ[1] | RX EQ[0] | 0x30 |
| 0xB8 | RX7 Configuration | | RX PNSWAP | RX EQBY | RX EN | | RX EQ[2] | RX EQ[1] | RX EQ[0] | 0x30 |
| 0xC0 | TX0 Configuration | | | TX EN | TX data rate | | TX PE[2] | TX PE[1] | TX PE[0] | 0x20 |
| 0xC8 | TX1 Configuration | | | TX EN | TX data rate | | TX PE[2] | TX PE[1] | TX PE[0] | 0x20 |
| 0xD0 | TX2 Configuration | | | TX EN | TX data rate | | TX PE[2] | TX PE[1] | TX PE[0] | 0x20 |
| 0xD8 | TX3 Configuration | | | TX EN | TX data rate | | TX PE[2] | TX PE[1] | TX PE[0] | 0x20 |
| 0xE0 | TX7 Configuration | | | TX EN | TX data rate | | TX PE[2] | TX PE[1] | TX PE[0] | 0x20 |
| 0xE8 | TX6 Configuration | | | TX EN | TX data rate | | TX PE[2] | TX PE[1] | TX PE[0] | 0x20 |
| 0xF0 | TX5 Configuration | | | TX EN | TX data rate | | TX PE[2] | TX PE[1] | TX PE[0] | 0x20 |
| 0xF8 | TX4 Configuration | | | TX EN | TX data rate | | TX PE[2] | TX PE[1] | TX PE[0] | 0x20 |

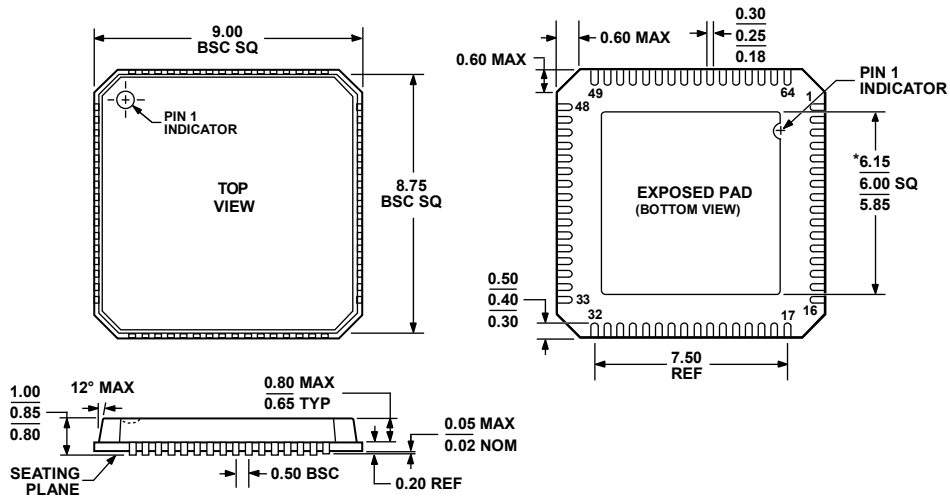
ADN4600

Table 17. Advanced Mode I²C Register Definitions

| Addr (Hex) | Name | Bit 7 | Bit 6 | Bit 5 | Bit 4 | Bit 3 | Bit 2 | Bit 1 | Bit 0 | Default | | |
|------------|----------------------------|---------------|----------------|-----------|-----------|---------------|-----------|---------------|----------------|---------|------|------|
| 0x23 | TxHeadroom | TxH_B3 | TxH_B2 | TxH_B1 | TxH_B0 | TxH_A3 | TxH_A2 | TxH_A1 | TxH_A0 | 0x00 | | |
| 0x83 | RX0 EQ1 Control | | EQ CTL SRC | RX EQ1[5] | RX EQ1[4] | RX EQ1[3] | RX EQ1[2] | RX EQ1[1] | RX EQ1[0] | 0x00 | | |
| 0x84 | RX0 EQ3 Control | | | RX EQ3[5] | RX EQ3[4] | RX EQ3[3] | RX EQ3[2] | RX EQ3[1] | RX EQ3[0] | 0x00 | | |
| 0x85 | RX0 FR4 Control | | | | | | | RX LUT select | RX LUT FR4/CX4 | 0x00 | | |
| 0x8B | RX1 EQ1 Control | | EQ CTL SRC | RX EQ1[5] | RX EQ1[4] | RX EQ1[3] | RX EQ1[2] | RX EQ1[1] | RX EQ1[0] | 0x00 | | |
| 0x8C | RX1 EQ3 Control | | | RX EQ3[5] | RX EQ3[4] | RX EQ3[3] | RX EQ3[2] | RX EQ3[1] | RX EQ3[0] | 0x00 | | |
| 0x8D | RX1 FR4 Control | | | | | | | RX LUT select | RX LUT FR4/CX4 | 0x00 | | |
| 0x93 | RX2 EQ1 Control | | EQ CTL SRC | RX EQ1[5] | RX EQ1[4] | RX EQ1[3] | RX EQ1[2] | RX EQ1[1] | RX EQ1[0] | 0x00 | | |
| 0x94 | RX2 EQ3 Control | | | RX EQ3[5] | RX EQ3[4] | RX EQ3[3] | RX EQ3[2] | RX EQ3[1] | RX EQ3[0] | 0x00 | | |
| 0x95 | RX2 FR4 Control | | | | | | | RX LUT select | RX LUT FR4/CX4 | 0x00 | | |
| 0x9B | RX3 EQ1 Control | | EQ CTL SRC | RX EQ1[5] | RX EQ1[4] | RX EQ1[3] | RX EQ1[2] | RX EQ1[1] | RX EQ1[0] | 0x00 | | |
| 0x9C | RX3 EQ3 Control | | | RX EQ3[5] | RX EQ3[4] | RX EQ3[3] | RX EQ3[2] | RX EQ3[1] | RX EQ3[0] | 0x00 | | |
| 0x9D | RX3 FR4 Control | | | | | | | RX LUT select | RX LUT FR4/CX4 | 0x00 | | |
| 0xA3 | RX4 EQ1 Control | | EQ CTL SRC | RX EQ1[5] | RX EQ1[4] | RX EQ1[3] | RX EQ1[2] | RX EQ1[1] | RX EQ1[0] | 0x00 | | |
| 0xA4 | RX4 EQ3 Control | | | RX EQ3[5] | RX EQ3[4] | RX EQ3[3] | RX EQ3[2] | RX EQ3[1] | RX EQ3[0] | 0x00 | | |
| 0xA5 | RX4 FR4 Control | | | | | | | RX LUT select | RX LUT FR4/CX4 | 0x00 | | |
| 0xAB | RX5 EQ1 Control | | EQ CTL SRC | RX EQ1[5] | RX EQ1[4] | RX EQ1[3] | RX EQ1[2] | RX EQ1[1] | RX EQ1[0] | 0x00 | | |
| 0xAC | RX5 EQ3 Control | | | RX EQ3[5] | RX EQ3[4] | RX EQ3[3] | RX EQ3[2] | RX EQ3[1] | RX EQ3[0] | 0x00 | | |
| 0xAD | RX5 FR4 Control | | | | | | | RX LUT select | RX LUT FR4/CX4 | 0x00 | | |
| 0xB3 | RX6 EQ1 Control | | EQ CTL SRC | RX EQ1[5] | RX EQ1[4] | RX EQ1[3] | RX EQ1[2] | RX EQ1[1] | RX EQ1[0] | 0x00 | | |
| 0xB4 | RX6 EQ3 Control | | | RX EQ3[5] | RX EQ3[4] | RX EQ3[3] | RX EQ3[2] | RX EQ3[1] | RX EQ3[0] | 0x00 | | |
| 0xB5 | RX6 FR4 Control | | | | | | | RX LUT select | RX LUT FR4/CX4 | 0x00 | | |
| 0xBB | RX7 EQ1 Control | | EQ CTL SRC | RX EQ1[5] | RX EQ1[4] | RX EQ1[3] | RX EQ1[2] | RX EQ1[1] | RX EQ1[0] | 0x00 | | |
| 0xBC | RX7 EQ3 Control | | | RX EQ3[5] | RX EQ3[4] | RX EQ3[3] | RX EQ3[2] | RX EQ3[1] | RX EQ3[0] | 0x00 | | |
| 0xBD | RX7 FR4 Control | | | | | | | RX LUT select | RX LUT FR4/CX4 | 0x00 | | |
| 0xC1 | TX0 Output Level Control 1 | TX0 CTL SRC | TX0_OLEV1[6:0] | | | | | | | | 0x40 | |
| 0xC2 | TX0 Output Level Control 0 | | TX0_OLEV0[6:0] | | | | | | | | 0x40 | |
| 0xC3 | TX0 Squelch Control | SQUELCHb[3:0] | | | | DISABLEb[3:0] | | | | | | 0xFF |
| 0xC9 | TX1 Output Level Control 1 | TX1 CTL SRC | TX1_OLEV1[6:0] | | | | | | | | 0x40 | |
| 0xCA | TX1 Output Level Control 0 | | TX1_OLEV0[6:0] | | | | | | | | 0x40 | |
| 0xCB | TX1 Squelch Control | SQUELCHb[3:0] | | | | DISABLEb[3:0] | | | | | | 0xFF |

| Addr (Hex) | Name | Bit 7 | Bit 6 | Bit 5 | Bit 4 | Bit 3 | Bit 2 | Bit 1 | Bit 0 | Default | |
|------------|----------------------------|---------------|-------|-------|---------------|----------------|-------|-------|-------|---------|------|
| 0xD1 | TX2 Output Level Control 1 | TX2 CTL SRC | | | | TX2_OLEV1[6:0] | | | | | 0x40 |
| 0xD2 | TX2 Output Level Control 0 | | | | | TX2_OLEV0[6:0] | | | | | 0x40 |
| 0xD3 | TX2 Squelch Control | SQUELCHb[3:0] | | | DISABLEb[3:0] | | | | | 0xFF | |
| 0xD9 | TX3 Output Level Control 1 | TX3 CTL SRC | | | | TX3_OLEV1[6:0] | | | | | 0x40 |
| 0xDA | TX3 Output Level Control 0 | | | | | TX3_OLEV0[6:0] | | | | | 0x40 |
| 0xDB | TX3 Squelch Control | SQUELCHb[3:0] | | | DISABLEb[3:0] | | | | | 0xFF | |
| 0xE1 | TX7 Output Level Control 1 | TX7 CTL SRC | | | | TX7_OLEV1[6:0] | | | | | 0x40 |
| 0xE2 | TX7 Output Level Control 0 | | | | | TX7_OLEV0[6:0] | | | | | 0x40 |
| 0xE3 | TX7 Squelch Control | SQUELCHb[3:0] | | | DISABLEb[3:0] | | | | | 0xFF | |
| 0xE9 | TX6 Output Level Control 1 | TX6 CTL SRC | | | | TX6_OLEV1[6:0] | | | | | 0x40 |
| 0xEA | TX6 Output Level Control 0 | | | | | TX6_OLEV0[6:0] | | | | | 0x40 |
| 0xEB | TX6 Squelch Control | SQUELCHb[3:0] | | | DISABLEb[3:0] | | | | | 0xFF | |
| 0xF1 | TX5 Output Level Control 1 | TX5 CTL SRC | | | | TX5_OLEV1[6:0] | | | | | 0x40 |
| 0xF2 | TX5 Output Level Control 0 | | | | | TX5_OLEV0[6:0] | | | | | 0x40 |
| 0xF3 | TX5 Squelch Control | SQUELCHb[3:0] | | | DISABLEb[3:0] | | | | | 0xFF | |
| 0xF9 | TX4 Output Level Control 1 | TX4 CTL SRC | | | | TX4_OLEV1[6:0] | | | | | 0x40 |
| 0xFA | TX4 Output Level Control 0 | | | | | TX4_OLEV0[6:0] | | | | | 0x40 |
| 0xFB | TX4 Squelch Control | SQUELCHb[3:0] | | | DISABLEb[3:0] | | | | | 0xFF | |

PACKAGE OUTLINE DIMENSIONS



*COMPLIANT TO JEDEC STANDARDS MO-220-VMM4-4
EXCEPT FOR EXPOSED PAD DIMENSION

Figure 33. 64-Lead Lead Frame Chip Scale Package [LFCSP_VQ]
9 mm × 9 mm Body, Very Thin Quad
(CP-64-2)
Dimensions shown in millimeters

063006-B

ORDERING GUIDE

| Model | Temperature Range | Package Description | Package Option |
|----------------------------|-------------------|--|----------------|
| ADN4600ACPZ ¹ | -40°C to +85°C | 64-Lead Lead Frame Chip Scale Package [LFCSP_VQ] | CP-64-2 |
| AD4600ACPZ-R7 ¹ | -40°C to +85°C | 64-Lead Lead Frame Chip Scale Package [LFCSP_VQ] | CP-64-2 |
| ADN4600-EVALZ ¹ | | Evaluation Board | |

¹ Z = RoHS Compliant Part.